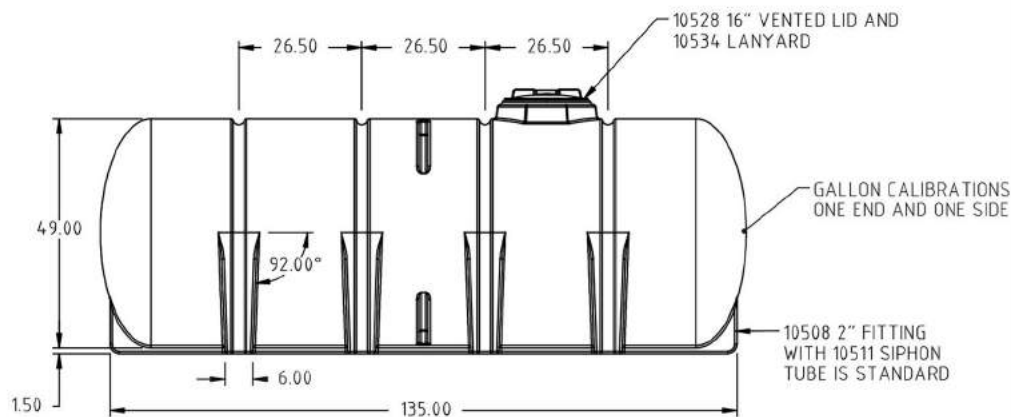
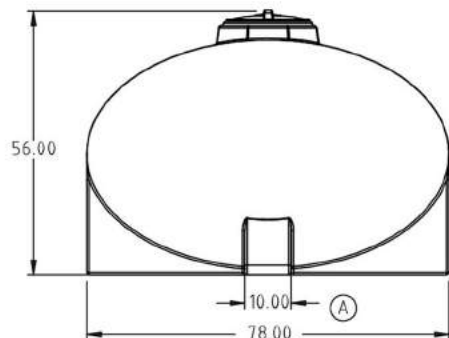


BAFFLE KEYS 4 PLACES  
INSTALL BAFFLES AND STRUTS FOR SHIPMENT. SEE FS1610-78 BAFFLE ASSEMBLY DIAGRAM.



		DRAWN / DATE REH 6/10/11		MATERIAL 10538		
A	10.00" WAS SHOWN AS 12.00"	ADH 9/11/13	2685		APPRD. / DATE DHJ 6/10/11	
REV	DESCRIPTION	BY / DATE	CCN			
ALL DIMENSIONS ARE IN DECIMAL INCHES TOLERANCES UNLESS OTHERWISE SPECIFIED		THIRD ANGLE PROJECTION ANSI 14.5M		SHOT WEIGHT: 490.00 LBS	DESCRIPTION 1610 FLAT BOTTOM LEG TANK	
POLYETHYLENE ±1% @ 68°F		METAL DECIMAL ± .125" FRACTION ± 1/4" ANGLE ± 1°		SHIPPING WEIGHT: 530.00 LBS (INC. BAFFLES)	SCALE N.S.	
		FINISH:		NOTES: 1.) NOM. WALL = 0.375	PART NO.	