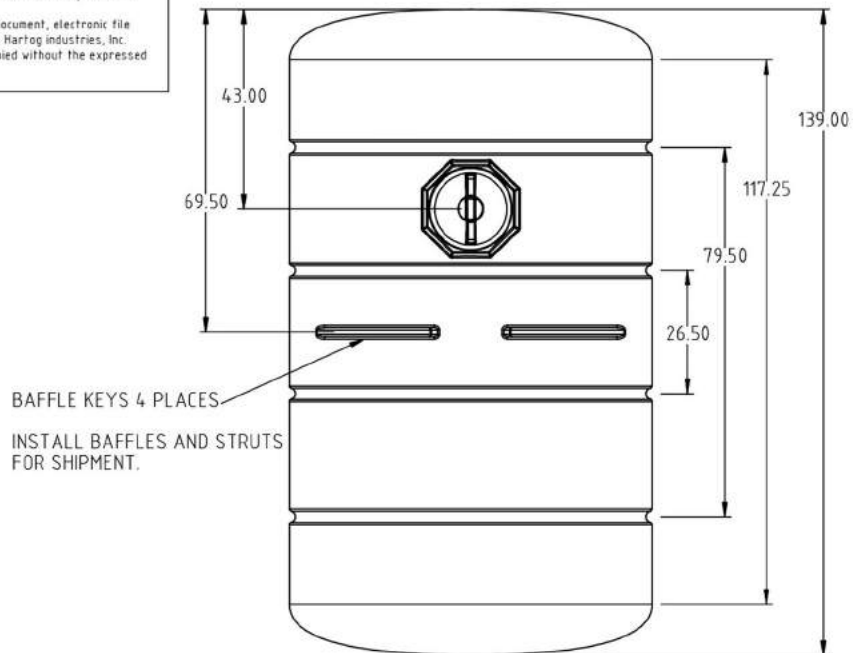
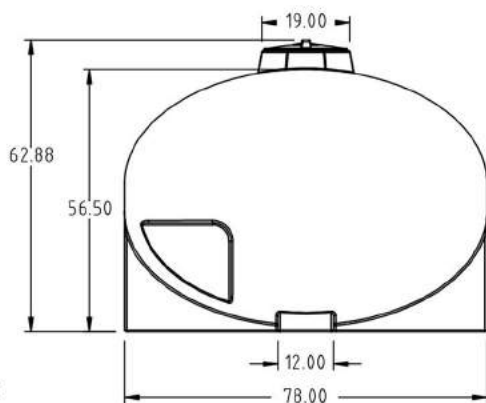


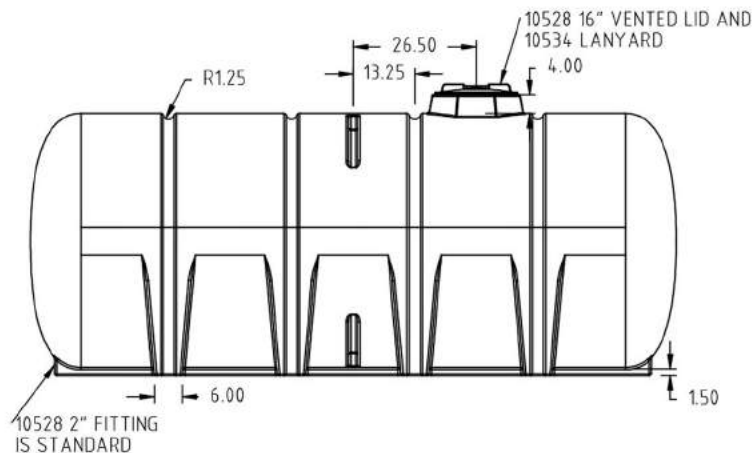
Copyright. All information furnished within this document, electronic file or design correspondence is the property of Den Hartog Industries, Inc. and shall not be used, disclosed to others or copied without the expressed written consent of Den Hartog Industries, Inc.



BAFFLE KEYS 4 PLACES  
INSTALL BAFFLES AND STRUTS FOR SHIPMENT.



IMPORTANT: HOOPS ARE REQUIRED ON THIS TANK



		DRAWN / DATE ADH 12/17/11		MATERIAL 10538		
		APPRD. / DATE REH 2/21/12				
REV	DESCRIPTION	BY / DATE	CCN	SHOT WEIGHT: 525 LB.		NOTES: 1.) NOM. WALL @ .375 2.) WHITE OR YELLOW COLOR
ALL DIMENSIONS ARE IN DECIMAL INCHES TOLERANCES UNLESS OTHERWISE SPECIFIED		THIRD ANGLE PROJECTION ANSI 14.5M		SHIPPING WEIGHT: 571 LB.		
POLYETHYLENE		METAL		FINISH:		DESCRIPTION 1850 GALLON LEG TANK W/O SUMP
±1% @ 68°F		DECIMAL ± .125" FRACTION ± 1/4" ANGLE ± 1°				SCALE N.S.
						PART NO.