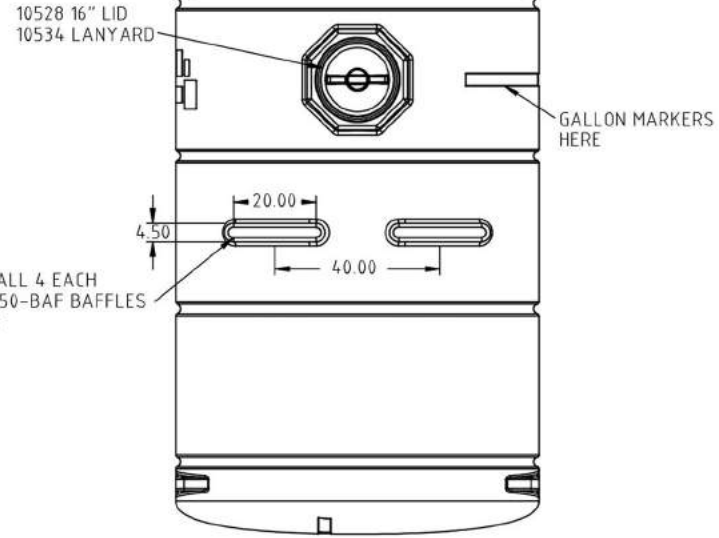
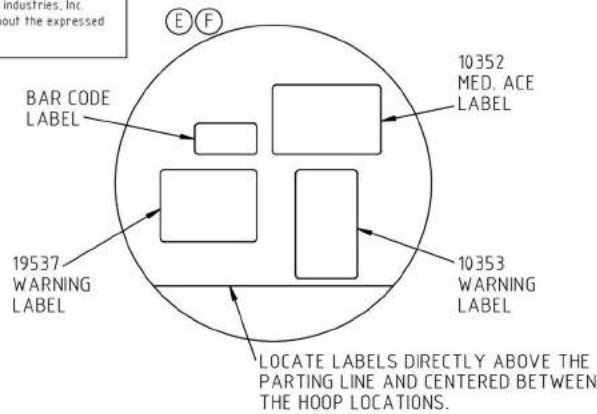


Copyright All information furnished within this document, electronic file or design correspondence is the property of Den Hartog Industries, Inc. and shall not be used, disclosed to others or copied without the expressed written consent of Den Hartog Industries, Inc.

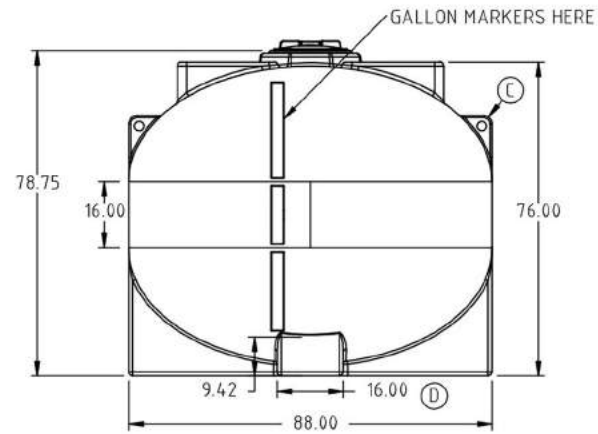
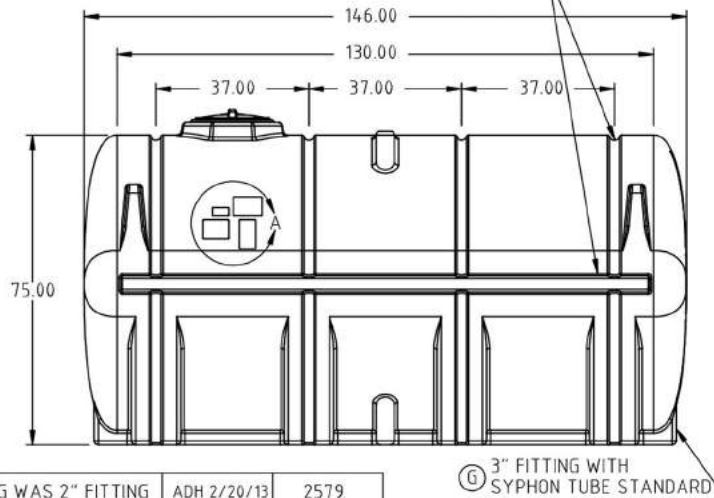
G

DETAIL A
SCALE 1:12



INSTALL 4 EACH FS3250-BAF BAFFLES HERE

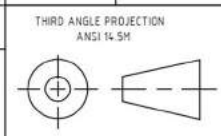
Ⓢ HOOPS ARE REQUIRED WITH THIS TANK



G	3" STANDARD FITTING WAS 2" FITTING	ADH 2/20/13	2579
F	LABELS MOVED TO IMPROVE VISIBILITY.	ADH 11/29/12	2531
E	ADDED WARNING LABEL	REH 8/7/12	2468
D	16.00" WAS 12.00"	ADH 1/26/12	2358
C	SHIP WT.,NOTE ADDED, LIFTING LUGS SHOWN	ADH 4/7/10	2015
B	TOL. CORRECTED	REH 3/12/09	1813
A	CHANGE PART #	4/6/06	
REV	DESCRIPTION	BY / DATE	CCN

DRAWN / DATE	MATERIAL
DHJ 9/22/04	
APPRD. / DATE	10538 NATURAL
REH 9/22/04	

ALL DIMENSIONS ARE IN DECIMAL INCHES TOLERANCES UNLESS OTHERWISE SPECIFIED
POLYETHYLENE
±1% @ 68°F



SHOT WEIGHT: 1100 LBS.
SHIPPING WEIGHT: 1208 LBS.
FINISH:

NOTES:
1.) 0.535 NOMINAL WALL
2.) BLUE, BLACK, WHITE OR YELLOW COLOR

DESCRIPTION		3250 GALLON ELLIPTICAL LEG TANK	
SCALE	N.S.	PART NO.	