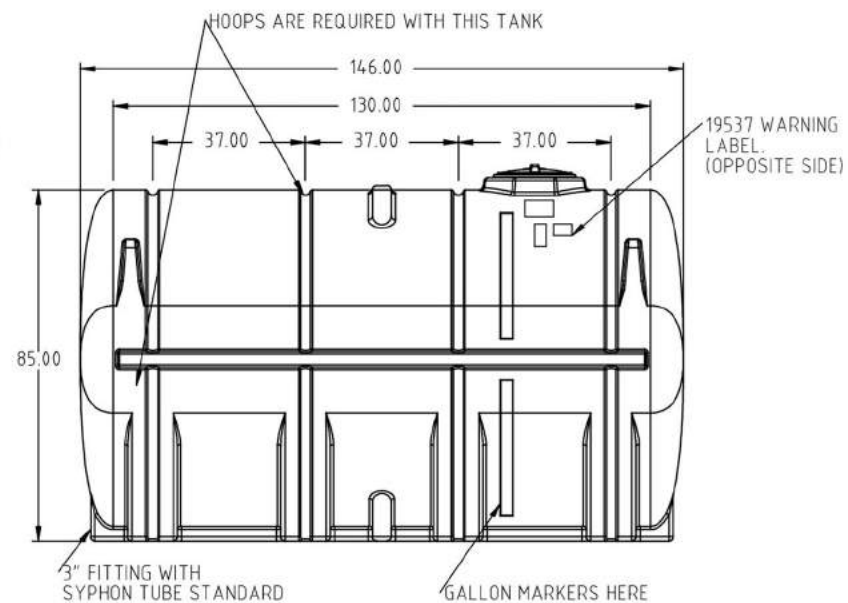
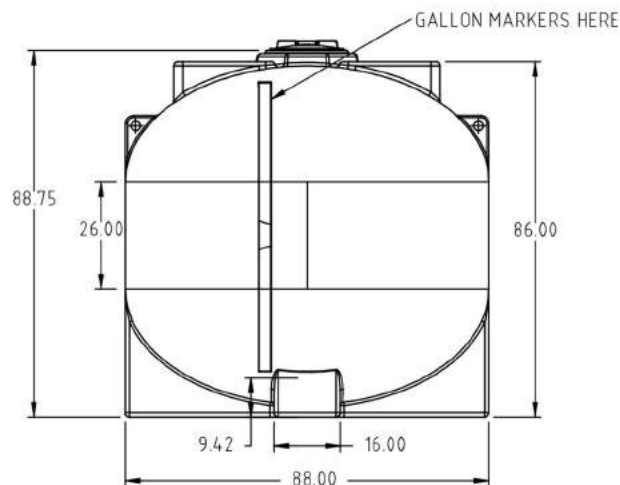
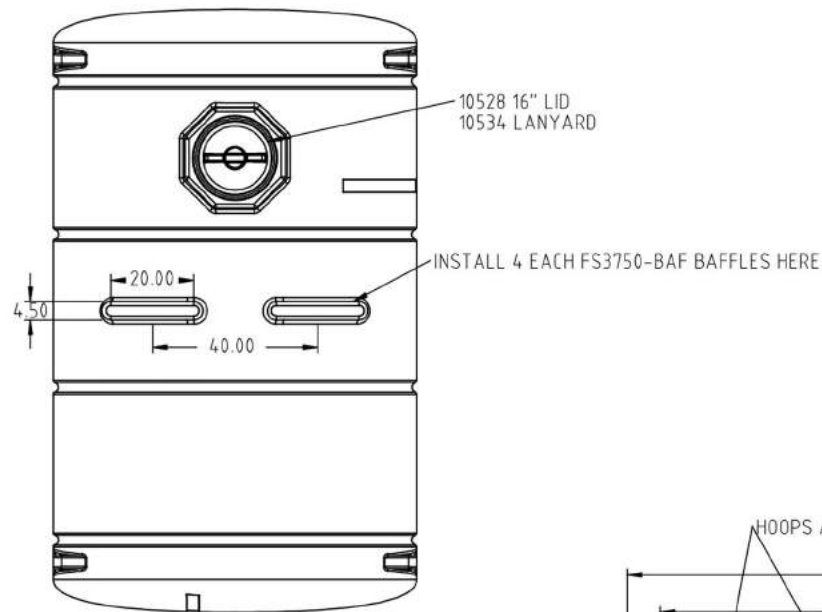


Copyright. All information furnished within this document, electronic file or design correspondence is the property of Den Hartog Industries, Inc. and shall not be used, disclosed to others or copied without the expressed written consent of Den Hartog Industries, Inc.



				DRAWN / DATE ADH 10/25/11	MATERIAL  10538 NATURAL		
				APPRD. / DATE REH 7/18/12			
REV	DESCRIPTION	BY / DATE	CCN				
ALL DIMENSIONS ARE IN DECIMAL INCHES TOLERANCES UNLESS OTHERWISE SPECIFIED		THIRD ANGLE PROJECTION ANSI 14.5M		SHOT WEIGHT: 1290 LBS.	NOTES: 1.) 0.580 NOMINAL WALL 2.) WHITE STD. COLOR	DESCRIPTION 3750 GALLON ELLIPTICAL LEG TANK	
POLYETHYLENE  ±1% @ 68°F		METAL DECIMAL ± .125" FRACTION ± 1/4" ANGLE ± 1°		SHIPPING WEIGHT: 1422 LBS.		SCALE N.S.	PART NO.