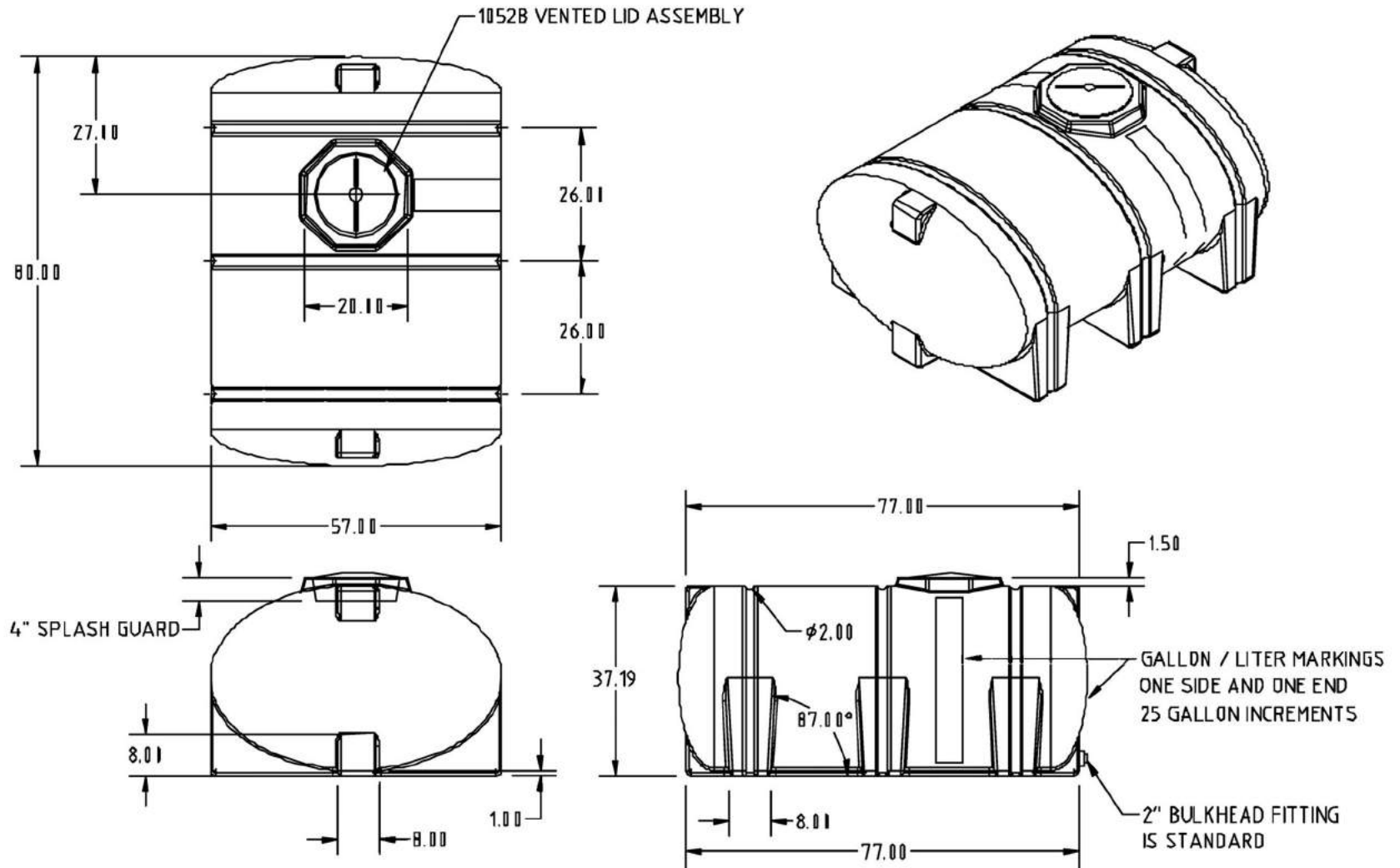


PROPRIETARY DATA

PROPERTY OF ACE ROTOMOLD MFG, INC. INFORMATION FURNISHED HEREIN IS THE PROPERTY OF ACE ROTOMOLD MFG, INC AND SHALL NOT BE USED, DISCLOSED TO OTHERS, OR COPIED WITHOUT THE EXPRESSED WRITTEN CONSENT OF ACE ROTOMOLD MFG, INC. ALL RIGHTS RESERVED.



				DRAWN / DATE REH / 5/9/15	MATERIAL MOBL 11 HDPE OR EQUIVALENT REFERENCE MATERIAL DATA SHEET FOR SPECIFIC PROPERTIES.	CLIENT / DESCRIPTION FS0510-57 ELLIPTICAL LEG TANK	
				APPRD. / DATE REH / 5/9/15			
REV	DESCRIPTION	DATE	APPRD	THIRD ANGLE PROJECTION ANSI 1:1		NOTES: 1. NOM WALL @ 30I 2. WHITE OR COLDER 3. SHOT WEIGHT 162 LBS.	
ALL DIMENSIONS ARE IN DECIMAL INCHES TOLERANCES UNLESS OTHERWISE SPECIFIED ± 1% @ 68°F						SCALE N.S.	PART NO.