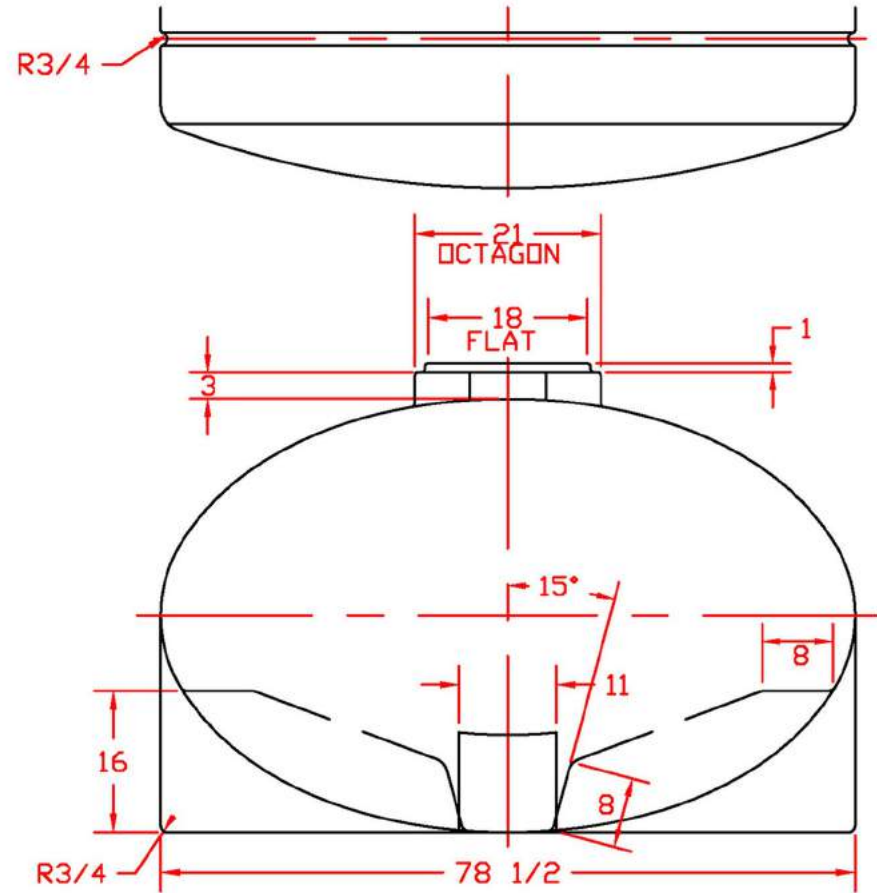
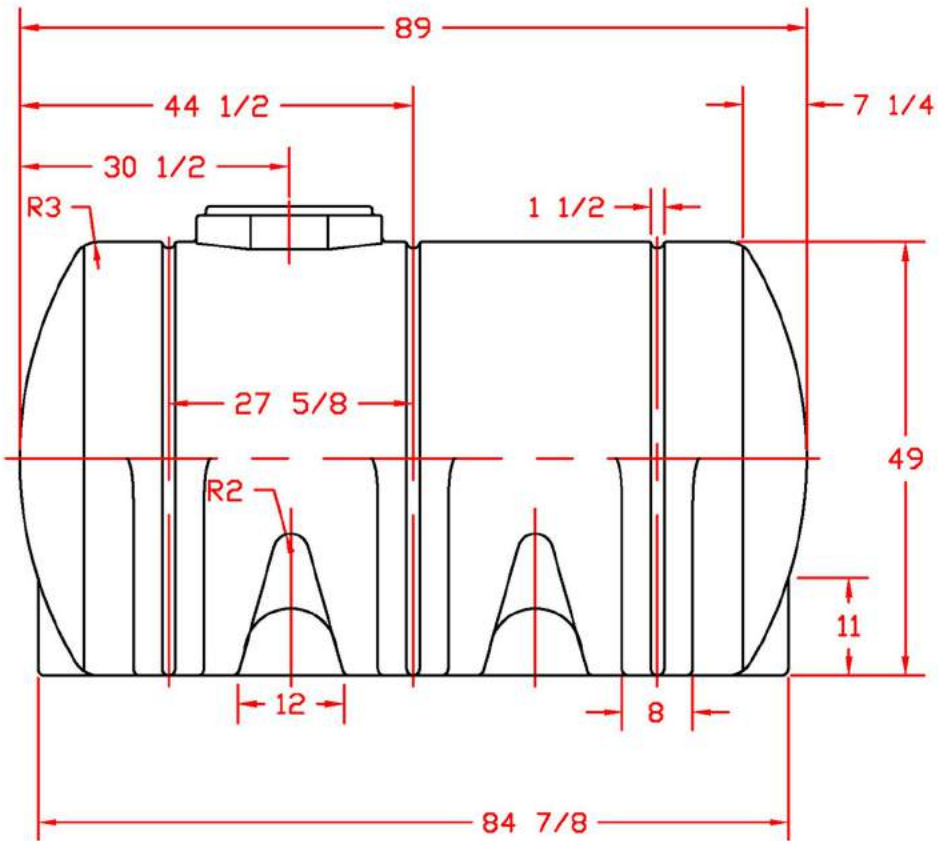


| REVISIONS | | | | |
|-----------|-----|-----------------------|---------|----------|
| ZONE | REV | DESCRIPTION | DATE | APPROVED |
| | E | REDRAWN | 25JUN97 | |
| | F | SPARGER FLATS REVISED | 23OCT98 | |
| | G | SPARGER FLATS RMVD. | 07MAR01 | |



| | | | | |
|-----|---------|------------------------------------|----------|---------|
| | | 1035 GALLON ELLIPTICAL LEG TANK | | |
| JTP | 25JUN97 | SIZE B | FSCM NO. | DWG NO. |
| | | SCALE 1/16 | SHEET | |