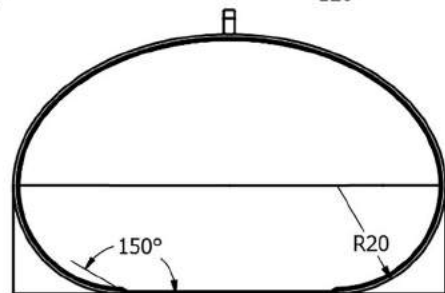
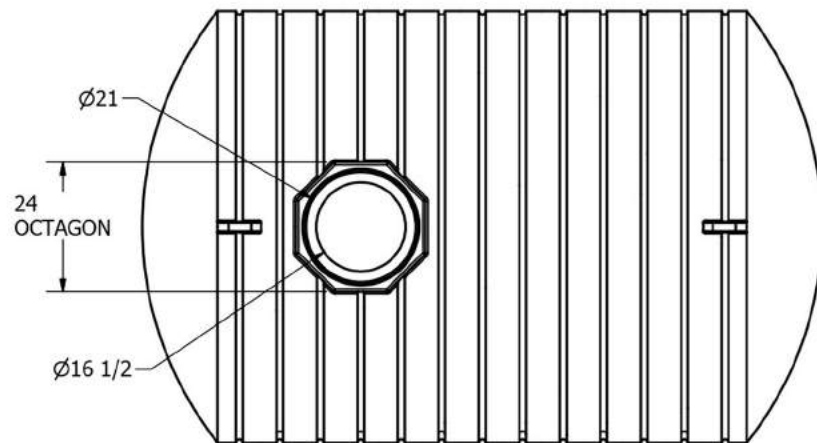
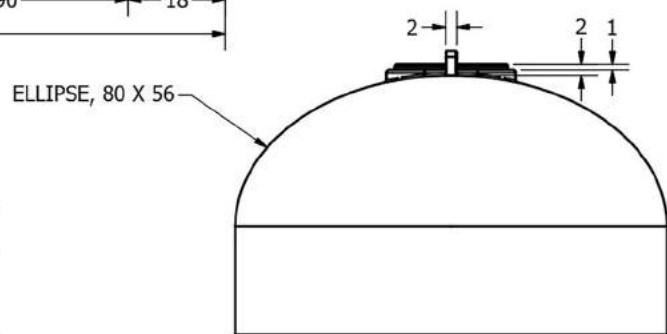


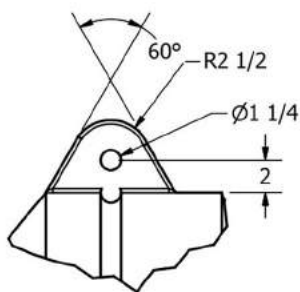
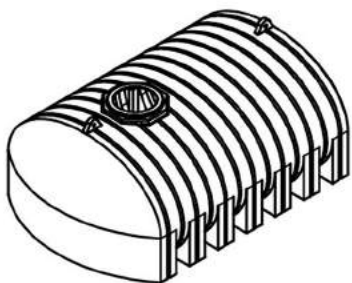
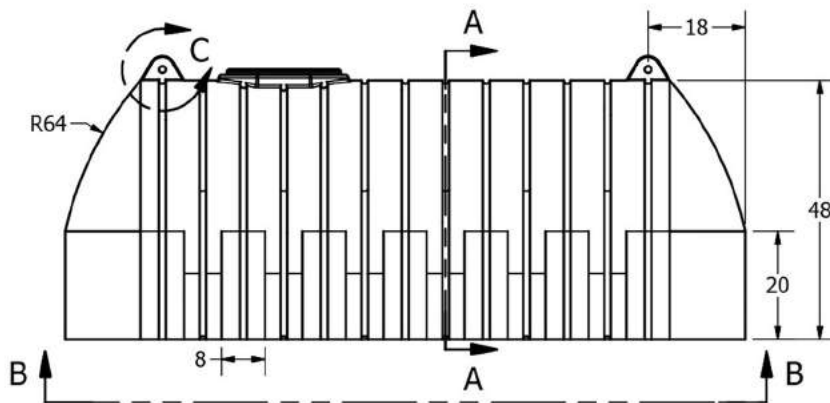
VIEW B-B  
SCALE 1:24



SECTION A-A  
SCALE 1:24



ELLIPSE, 80 X 56



DETAIL C  
SCALE 1 / 8

DRAWN Jerry Paulson	4/17/2009	TITLE	
CHECKED		1600 GALLON FLAT BOTTOM ELLIPTICAL LEG TANK	
QA		SIZE B	DWG NO
MFG		SCALE: 1/16	REV
APPROVED		SHEET 1 OF 1	