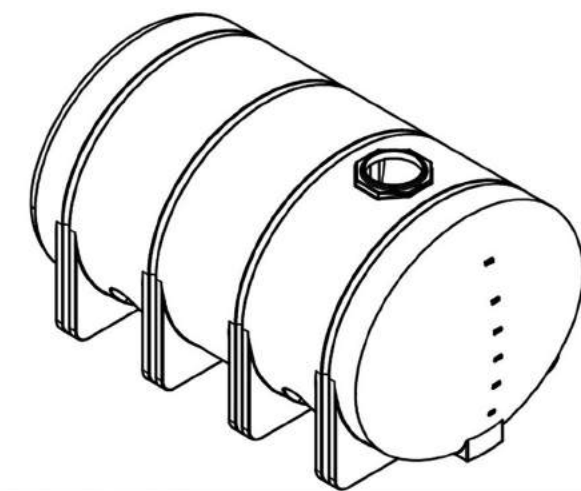


SECTION A-A
SCALE 1:8



FOB ST. BONIFACIUS, MN SHAWNEE, OK & FAIRFIELD, TX

REVISION HISTORY			
REV	DESCRIPTION	DATE	AUTHOR
A	SPARGER FLAT REVISED	6/4/2004	
B	WAS 1) 2) 12 3) 137 1/2	11/21/2007	
C	SPARGER FLAT REMOVED	11/12/2008	
D	REDRAWN	8/6/2013	Michael Holden

DRAWN Jerry Paulson	6/29/1995	TITLE 3135 GALLON ELLIPTICAL LEG TANK		
CHECKED				
QA				
MFG				
APPROVED				
		SIZE B	DWG NO	REV D
SCALE: 1/16		SHEET 1 OF 2		