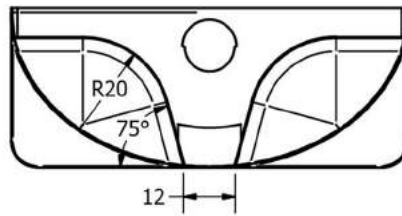
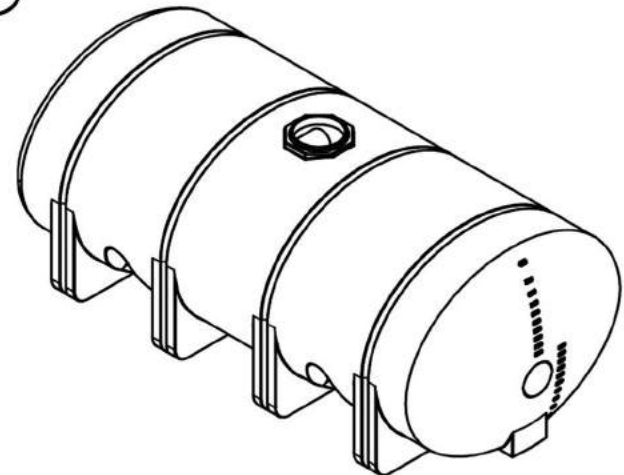


SECTION A-A
SCALE 1:8



SECTION B-B
SCALE 1:30



REVISION HISTORY			
REV	DESCRIPTION	DATE	AUTHOR
A	REDRAWN	8/6/2013	Michael Holden
DRAWN Jerry Paulson		5/6/1999	TITLE 4035 GALLON ELLIPTICAL LEG TANK
CHECKED			
QA			
MFG			
APPROVED			
SIZE B	DWG NO	REV A	
SCALE: 1/16		SHEET 1 OF 2	