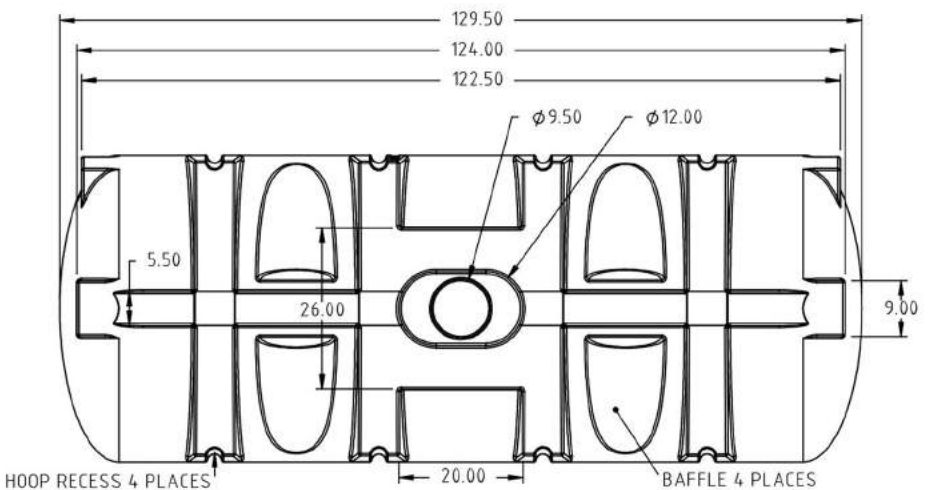
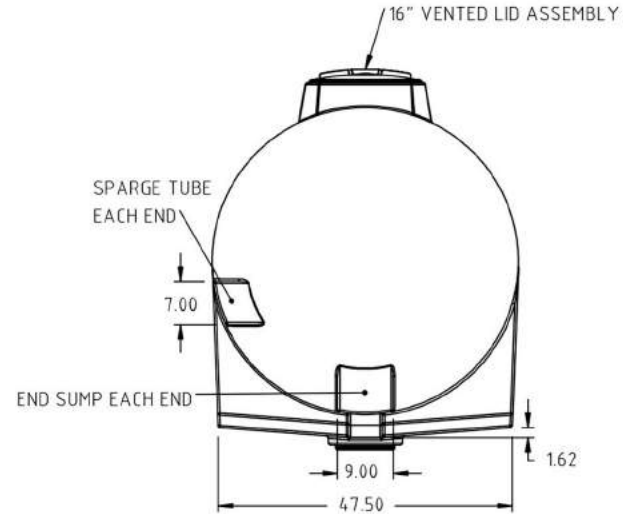
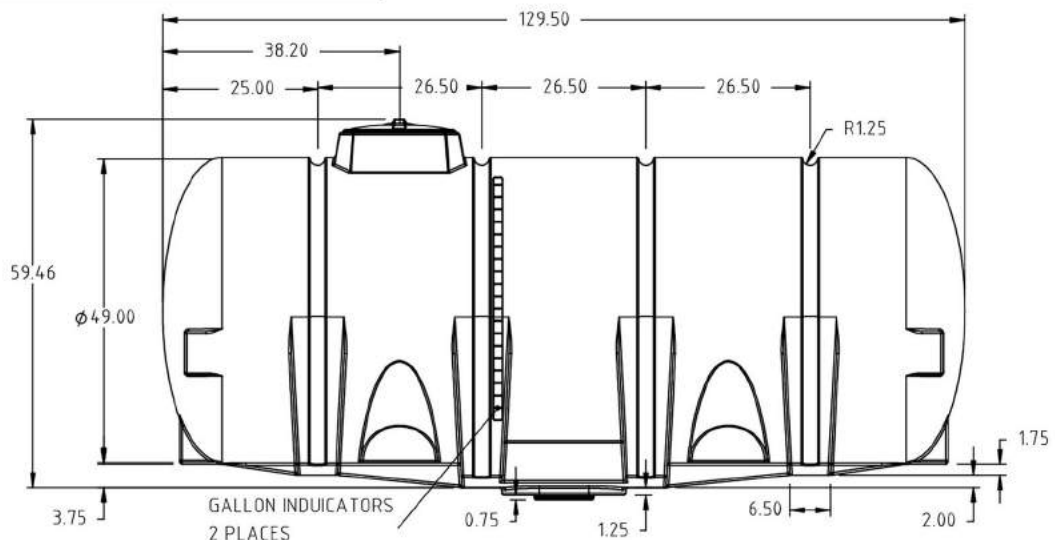


Copyright All information furnished within this document, electronic file or design correspondence is the property of Den Hartog Industries, Inc. and shall not be used, disclosed to others or copied without the expressed written consent of Den Hartog Industries, Inc.

A

A



STANDARD FITTING IS 2"

NOTE: 4 HOOPS ARE REQUIRED ON THIS TANK

		DRAWN / DATE REH 2/26/01		MATERIAL HDPE	
A	FM1010-48 WAS FS1010-48	ADH 3/4/15	3026	APPRD. / DATE REH 2/26/01	
REV	DESCRIPTION	BY / DATE	CCN		
ALL DIMENSIONS ARE IN DECIMAL INCHES TOLERANCES UNLESS OTHERWISE SPECIFIED		THIRD ANGLE PROJECTION ANSI 14.5M		SHOT WEIGHT: 340.00 LBS	
POLYETHYLENE		METAL DECIMAL ± .125" FRACTION ± 1/4" ANGLE ± 1°		SHIPPING WEIGHT: 342.00 LBS	
±1% @ 68°F				FINISH:	
				NOTES: 1.) AVAILABLE IN BLUE, BLACK, WHITE OR YELLOW COLOR 2.) NOM. WALL + 0.350	
				DESCRIPTION 1010 GAL.FULL DRAIN HORIZONTAL TANK	
				SCALE N.S.	
				PART NO. A	