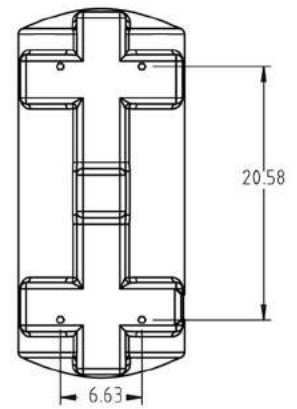
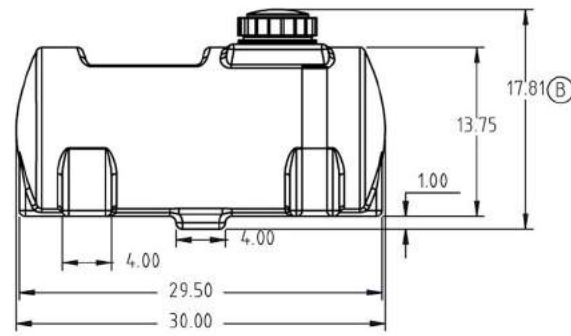
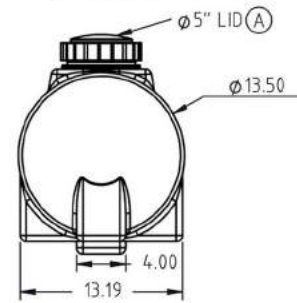
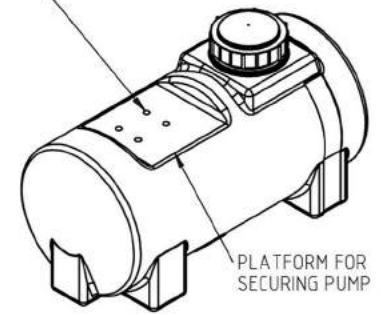
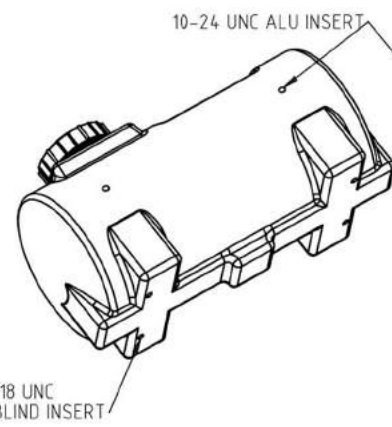
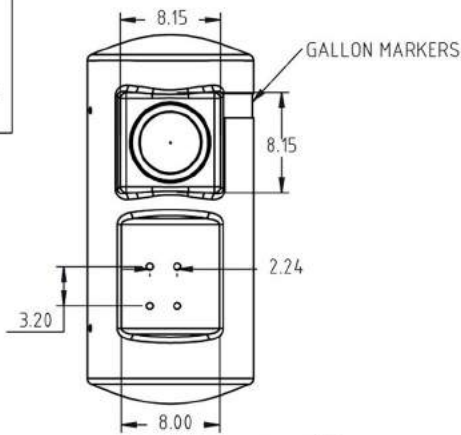


Copyright. All information furnished within this document, electronic file or design correspondence is the property of Den Hartog industries, Inc. and shall not be used, disclosed to others or copied without the expressed written consent of Den Hartog Industries, Inc.



				DRAWN / DATE NVE 6/9/05	MATERIAL HDPE OR EQUIVALENT REFERENCE MATERIAL DATA SHEET FOR SPECIFIC PROPERTIES	
B	HEIGHT DIMENSION ADDED, DRAWING TEMPLATE UPDATED	DHJ 4/8/10	2054	APPRD. / DATE DHJ 6/21/05		
A	CORRECTED DRAWING P.N., UPDATED ADDRESS, 5" LID WAS 6" LID	ADH 12/7/07	1428			
REV	DESCRIPTION	BY / DATE	CCN			
ALL DIMENSIONS ARE IN DECIMAL INCHES TOLERANCES UNLESS OTHERWISE SPECIFIED		THIRD ANGLE PROJECTION ANSI 14.5M		SHOT WEIGHT: 11.00 LBS	NOTES: 1.) NOM. WALL @ .193	DESCRIPTION 15 GALLON FREE STANDING TANK
POLYETHYLENE ±1% @ 68°F		METAL DECIMAL ± .125" FRACTION ± 1/4" ANGLE ± 1°		SHIPPING WEIGHT:	FINISH: WHITE OR COLOR	SCALE N.S.
						PART NO.