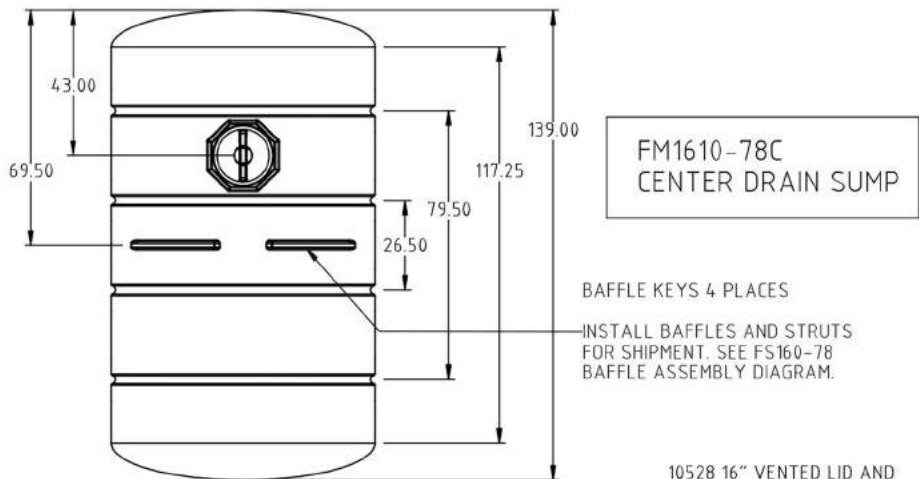
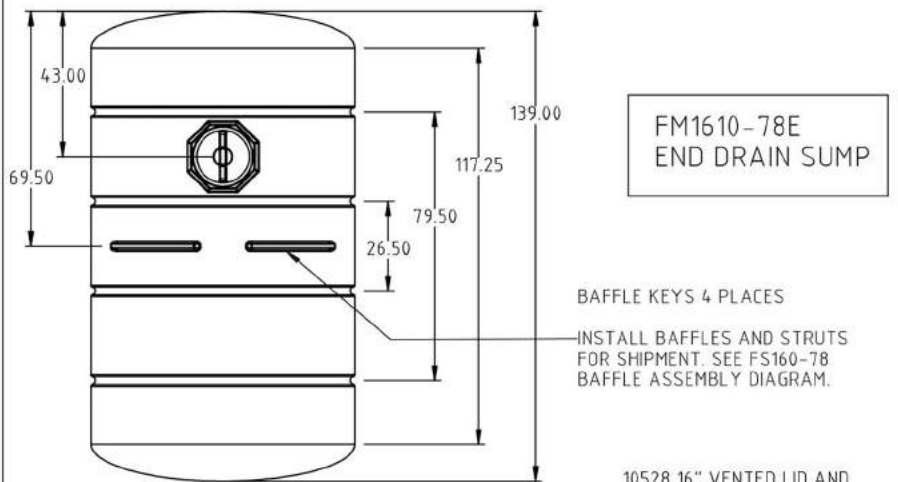


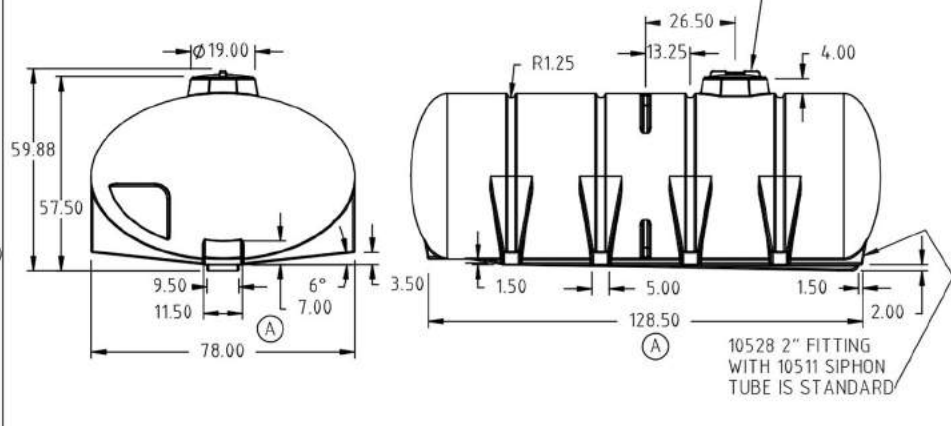
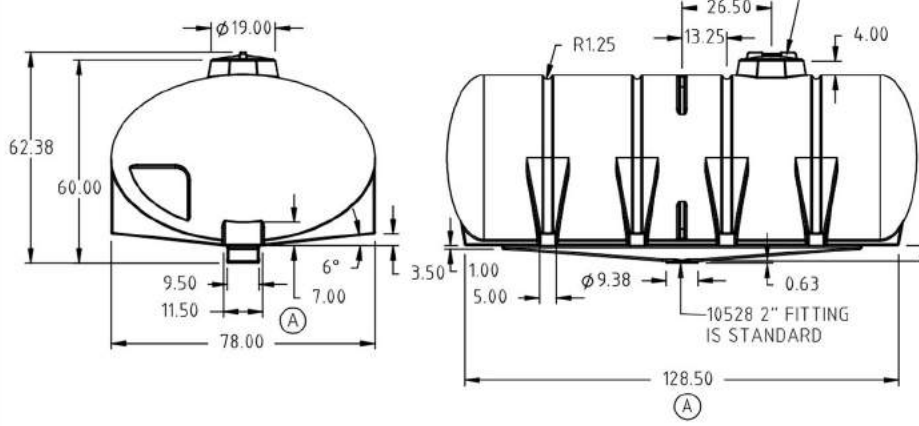
Copyright All information furnished within this document, electronic file or design correspondence is the property of Den Hartog Industries, Inc. and shall not be used, disclosed to others or copied without the expressed written consent of Den Hartog Industries, Inc.



FM1610-78C
CENTER DRAIN SUMP



FM1610-78E
END DRAIN SUMP



		DRAWN / DATE ADH 7/1/10		MATERIAL	
		APPRD. / DATE REH 7/1/10		10538	
A	FITTING FLAT DETAILS ADDED	ADH 1/10/13	2561		
REV	DESCRIPTION	BY / DATE	CCN		
ALL DIMENSIONS ARE IN DECIMAL INCHES TOLERANCES UNLESS OTHERWISE SPECIFIED		THIRD ANGLE PROJECTION ANSI 14.5M		NOTES:	
POLYETHYLENE		METAL		1.) NOM. WALL @ .375	
±1% @ 68°F		DECIMAL ± .125" FRACTION ± 1/4" ANGLE ± 1°		2.) WHITE OR YELLOW COLOR	
		SHOT WEIGHT: 490.00 LBS		DESCRIPTION 1610 GALLON LEG TANK	
		SHIPPING WEIGHT: 530.00 LBS. (INC. BAFFLES)		SCALE N.S.	
		FINISH:		PART NO.	