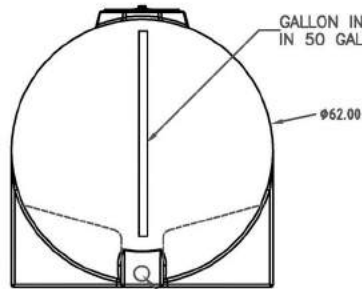


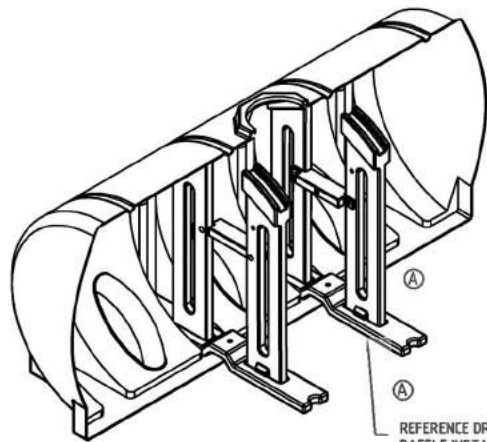
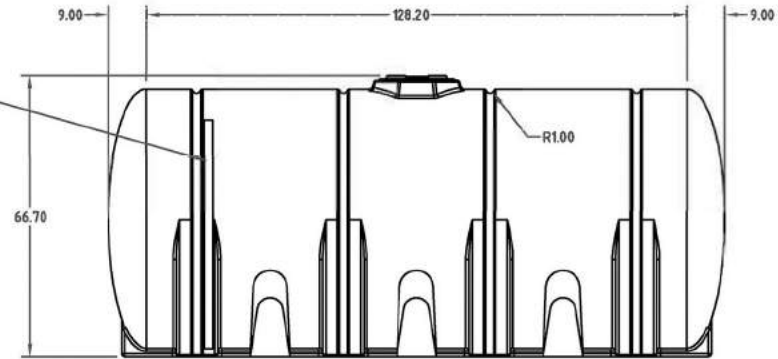
PROPRIETARY DATA

PROPERTY OF ACE ROTO-MOLD MFG., INC. INFORMATION FURNISHED HEREIN IS THE PROPERTY OF ACE ROTO-MOLD MFG., INC. AND SHALL NOT BE USED, DISCLOSED TO OTHERS, OR COPIED WITHOUT THE EXPRESSED WRITTEN CONSENT OF ACE ROTO-MOLD MFG., INC. ALL RIGHTS RESERVED.

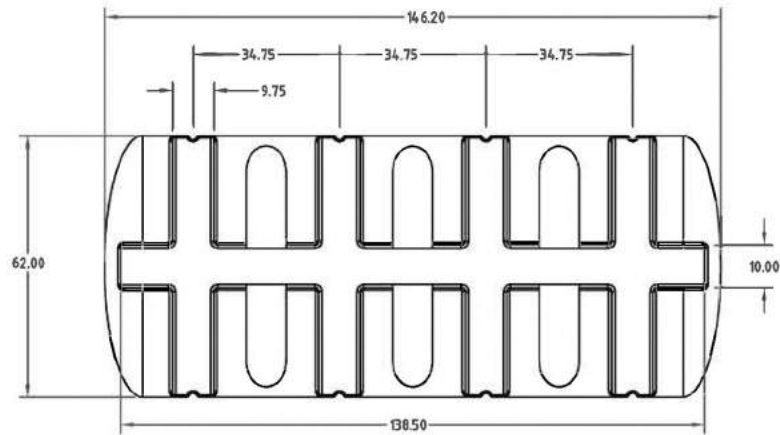
A



FITTING SUMP EACH END
2 INCH FITTING IS STANDARD



REFERENCE DRAWING FS1750-BAF FOR
BAFFLE INSTALLATION INSTRUCTIONS



NOTE: 4 HOOPS ARE REQUIRED ON THIS TANK
A NOTE: FS1750-BAF KIT IS STANDARD

					DRAWN / DATE DHJ/9/10/07	MATERIAL: 540 LB. HDPE	CLIENT / DESCRIPTION 1750 GAL. LEG TANK	
A	BAFFLE KIT MADE STANDARD	5/15/08	ADH	1650	APPRD. / DATE REH/10/1/07			
REV	DESCRIPTION	DATE	APPRD	CCN			SCALE N.S.	PART NO.
ALL DIMENSIONS ARE IN DECIMAL INCHES TOLERANCES UNLESS OTHERWISE SPECIFIED $\pm 1\% @ 68^\circ F$					THIRD ANGLE PROJECTION ANSI 14.5M 	NOTES: 1. AVAILABLE IN NATURAL OR YELLOW COLOR. 2. NOM. WALL = .400		