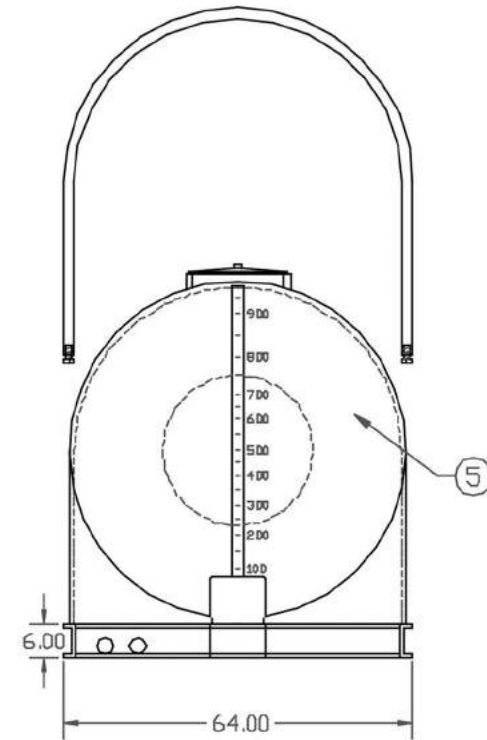
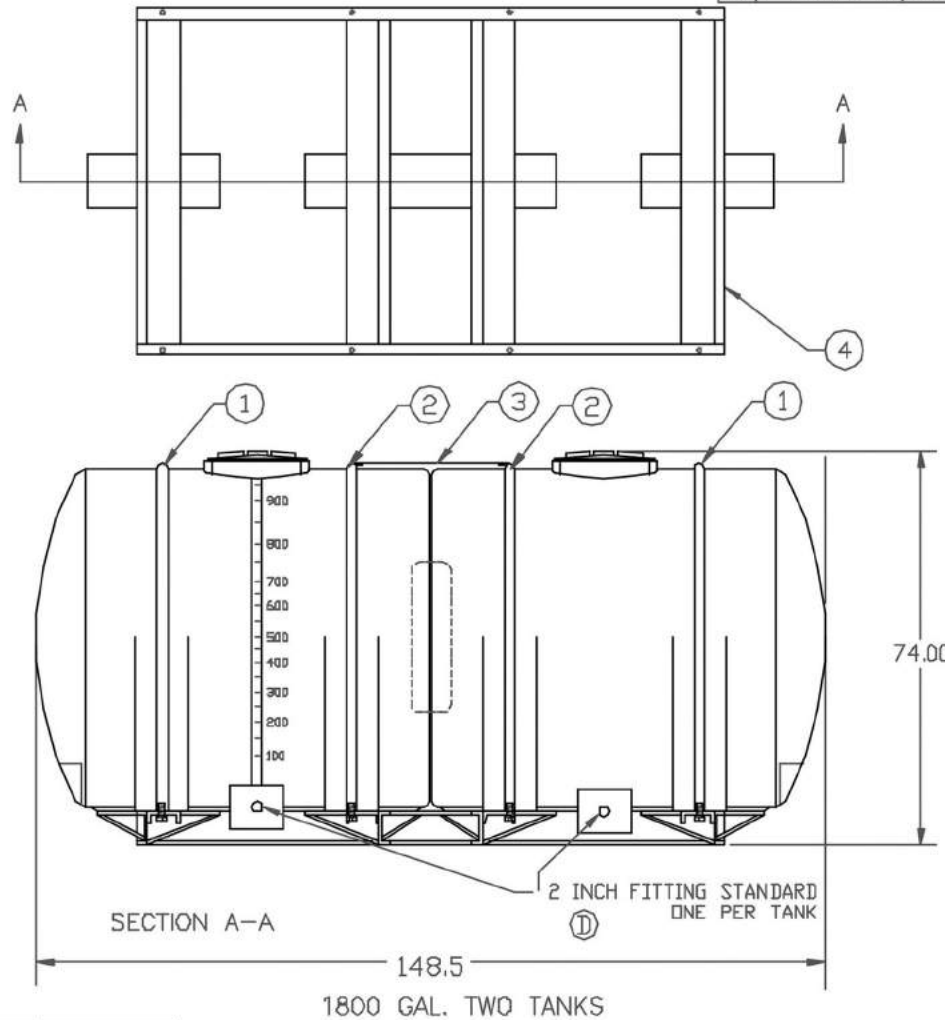


PROPRIETARY DATA

PROPERTY OF ACE ROTO-HOLD MFG, INC. INFORMATION FURNISHED HEREIN IS THE PROPERTY OF ACE ROTO-HOLD MFG, INC AND SHALL NOT BE USED, DISCLOSED TO OTHERS, OR COPIED WITHOUT THE EXPRESSED WRITTEN CONSENT OF ACE ROTO-HOLD MFG, INC. ALL RIGHTS RESERVED.

#	DESCRIPTION	PART NO.
1	2 HOOPS	FS062-HP-925
2	2 HOOPS	FS062-HP-1800C
3	CONECT PLATE	FS-1800-CP
4	SKID	FM1800-SKS
5	2 TANKS W/SUMP	FMA0900-FS / FMB0900-FS

D



(B) CAUTION: TWO COMPARTMENT TANKS MUST BE PLUMBED TO DRAIN EQUALLY. DO NOT USE TANKS AS INDIVIDUAL STORAGE COMPARTMENTS.

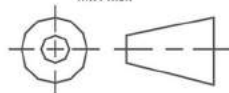
D	FITTING LOCATION [CN1293]	3/31/17	DHJ
C	REMOVE TOLERANCE	3/15/07	GWC
B	ADD CAUTION NOTE	11/8/06	
A	UPDATE PART #	3/28/06	
REV	DESCRIPTION	DATE	APPRD

DRAWN / DATE		MATERIAL
EVAN 9/31/94		
APPRD. / DATE		HDPE OR EQUIVALENT REFERENCE MATERIAL DATA SHEET FOR SPECIFIC PROPERTIES
REH 4/11/17		

CLIENT / DESCRIPTION	
1800 GALLON FREE STANDING TANK WITH SUMP SHOWN WITH OPTIONAL SKID	
SCALE	PART NO.
N.S.	

ALL DIMENSIONS ARE IN DECIMAL INCHES
TOLERANCES UNLESS OTHERWISE SPECIFIED

THIRD ANGLE PROJECTION
ANSI 16.5M



NOTES: