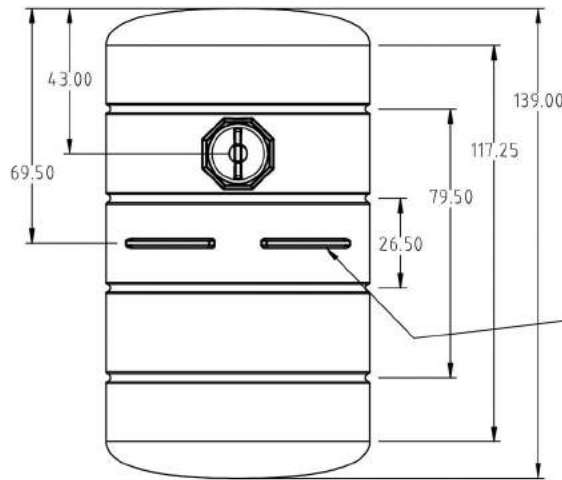
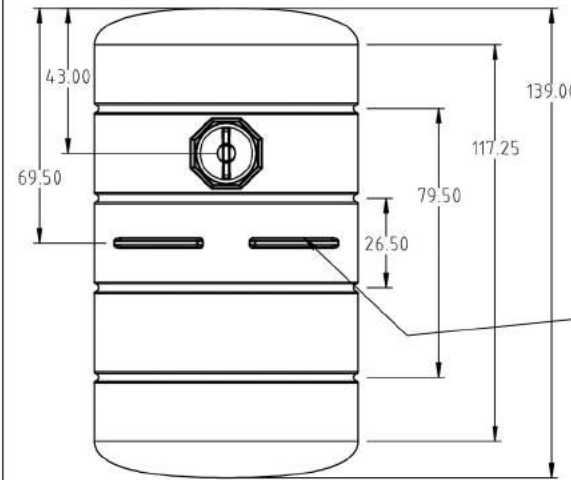


Copyright. All information furnished within this document, electronic file or design correspondence is the property of Den Hartog Industries, Inc. and shall not be used, disclosed to others or copied without the expressed written consent of Den Hartog Industries, Inc.



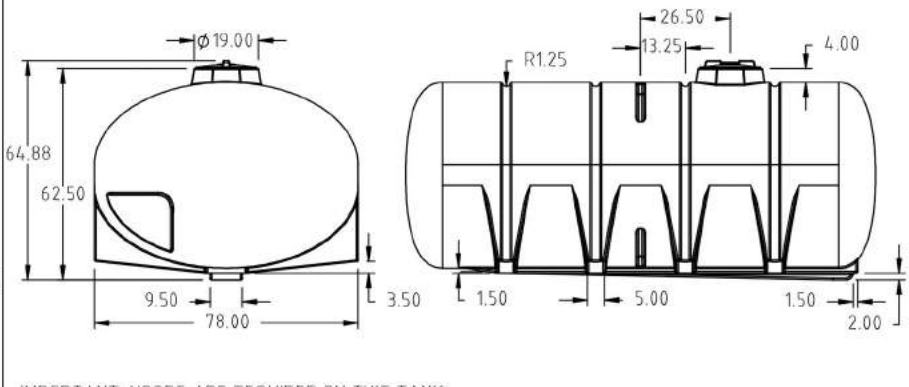
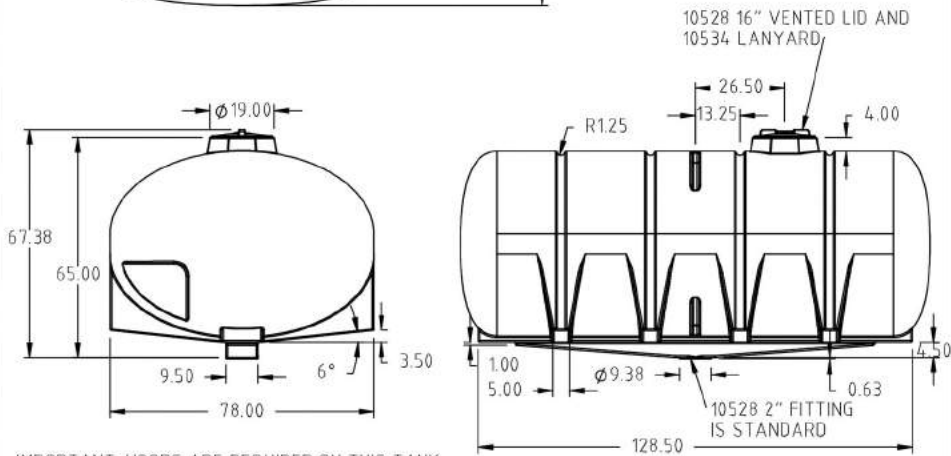
FM1850-78C
CENTER DRAIN SUMP

BAFFLE KEYS 4 PLACES
INSTALL BAFFLES AND STRUTS
FOR SHIPMENT.



FM1850-78E
END DRAIN SUMP

BAFFLE KEYS 4 PLACES
INSTALL BAFFLES AND STRUTS
FOR SHIPMENT.



IMPORTANT: HOOPS ARE REQUIRED ON THIS TANK

IMPORTANT: HOOPS ARE REQUIRED ON THIS TANK

		DRAWN / DATE ADH 12/5/11		MATERIAL 10538	
		APPRD. / DATE REH 2/21/12			
REV	DESCRIPTION	BY / DATE	CCN		
ALL DIMENSIONS ARE IN DECIMAL INCHES TOLERANCES UNLESS OTHERWISE SPECIFIED		THIRD ANGLE PROJECTION ANSI 14.5M		SHOT WEIGHT: 525 LB.	
POLYETHYLENE		METAL DECIMAL ± .125" FRACTION ± 1/4" ANGLE ± 1°		SHIPPING WEIGHT: 571 LB.	
±1% @ 68°F				FINISH:	
				NOTES: 1.) NOM. WALL @ .375 2.) WHITE OR YELLOW COLOR	
				DESCRIPTION 1850 GALLON LEG TANK	
				SCALE N.S.	
				PART NO.	