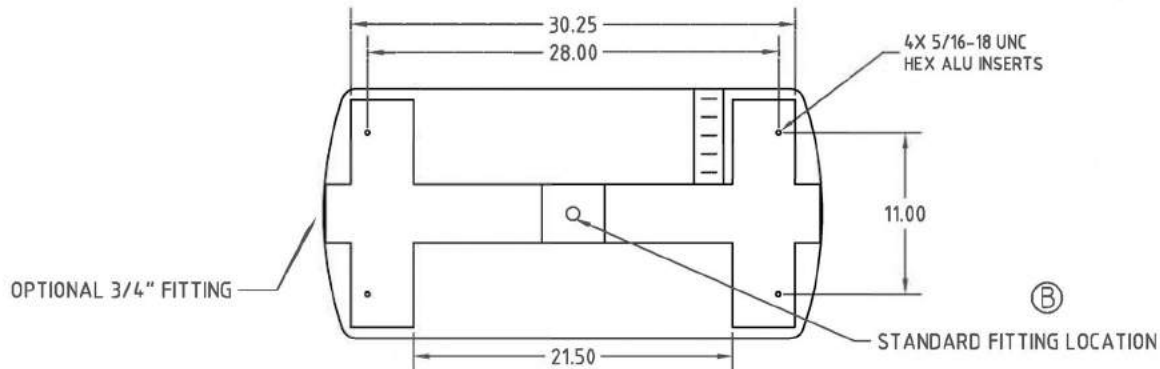
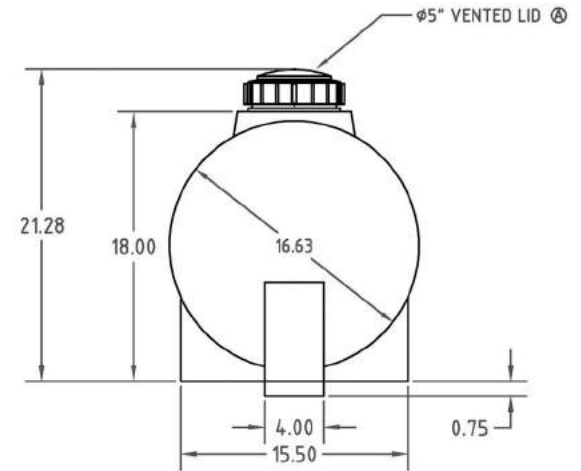
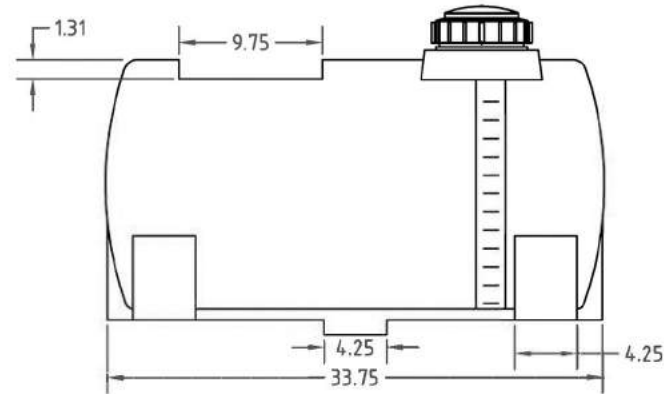


A



B

		DRAWN / DATE		MATERIAL			
A	ADD STANDARD FITTING LOCATION	DHJ 6/1/09	CCN 1853	DHJ 1/8/03			
A	ADDRESS, WEIGHT (13 LBS), LID SIZE (6") UPDATED	ADH 5/5/09	CCN 1853	APPRD. / DATE			
REV	DESCRIPTION	DATE	APPRD	NVE 7/28/05		CLIENT / DESCRIPTION	
ALL DIMENSIONS ARE IN DECIMAL INCHES TOLERANCES UNLESS OTHERWISE SPECIFIED ± 1% @ 68° F				THIRD ANGLE PROJECTION ANSI 14.5M 		NOTES: 1. NOM. WALL @ .150 2. SHOT WEIGHT 13.50 LBS. Ⓢ 3. WHITE OR YELLOW COLOR	
						SCALE	PART NO.
						N.S.	
						25 LEG GALLON TANK WITH SUMP	