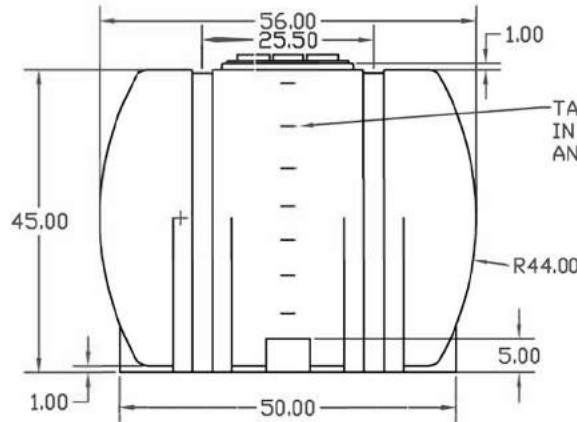
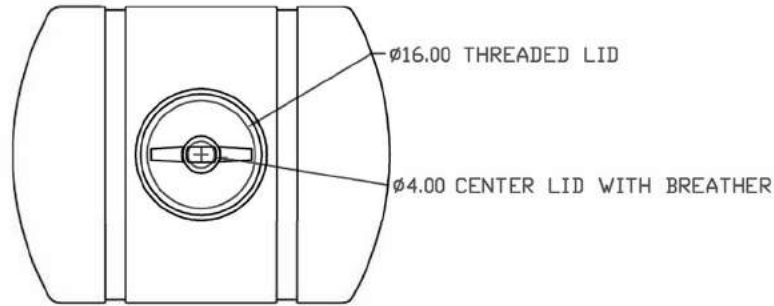


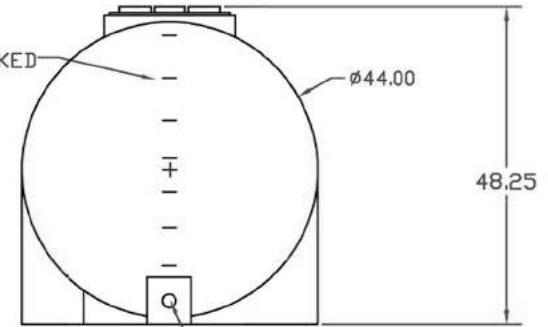
PROPRIETARY DATA

PROPERTY OF ACE ROTO-MOLD MFG., INC. INFORMATION FURNISHED HEREIN IS THE PROPERTY OF ACE ROTO-MOLD MFG., INC. AND SHALL NOT BE USED, DISCLOSED TO OTHERS, OR COPIED WITHOUT THE EXPRESSED WRITTEN CONSENT OF ACE ROTO-MOLD MFG., INC. ALL RIGHTS RESERVED.

B



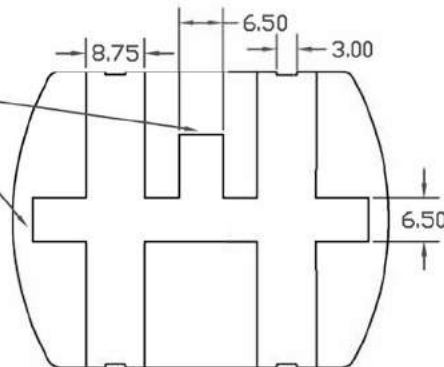
TANK IS MARKED IN GALLONS AND LITERS



STANDARD FITTING LOCATION
2 INCH STANDARD

ⓑ

OPTIONAL FITTING LOCATIONS



					DRAWN / DATE DHJ 12/20/02	MATERIAL	
B	CLARIFY STANDARD FITTING	10/2/07	DHJ		APPRD. / DATE ADH 11/9/07	HDPE OR EQUIVALENT REFERENCE MATERIAL DATA SHEET FOR SPECIFIC PROPERTIES.	
A	NEW DRAWING FORMAT	10/11/05	NVE				CLIENT / DESCRIPTION 335 GALLON FREE-STANDING TANK
REV	DESCRIPTION	DATE	APPRD	CCN			SCALE N.S.
ALL DIMENSIONS ARE IN DECIMAL INCHES TOLERANCES UNLESS OTHERWISE SPECIFIED ± 1% @ 68° F					THIRD ANGLE PROJECTION ANSI 14.5M 	NOTES: 1. WHITE, BLACK, YELLOW OR DESERT TAN COLOR 2. SHOT WEIGHT 116 LBS. 3. NOM. WALL @ 0.290 4. 3/4", 1", 1.25", 1.5", 2" OR 3" FITTING	PART NO.