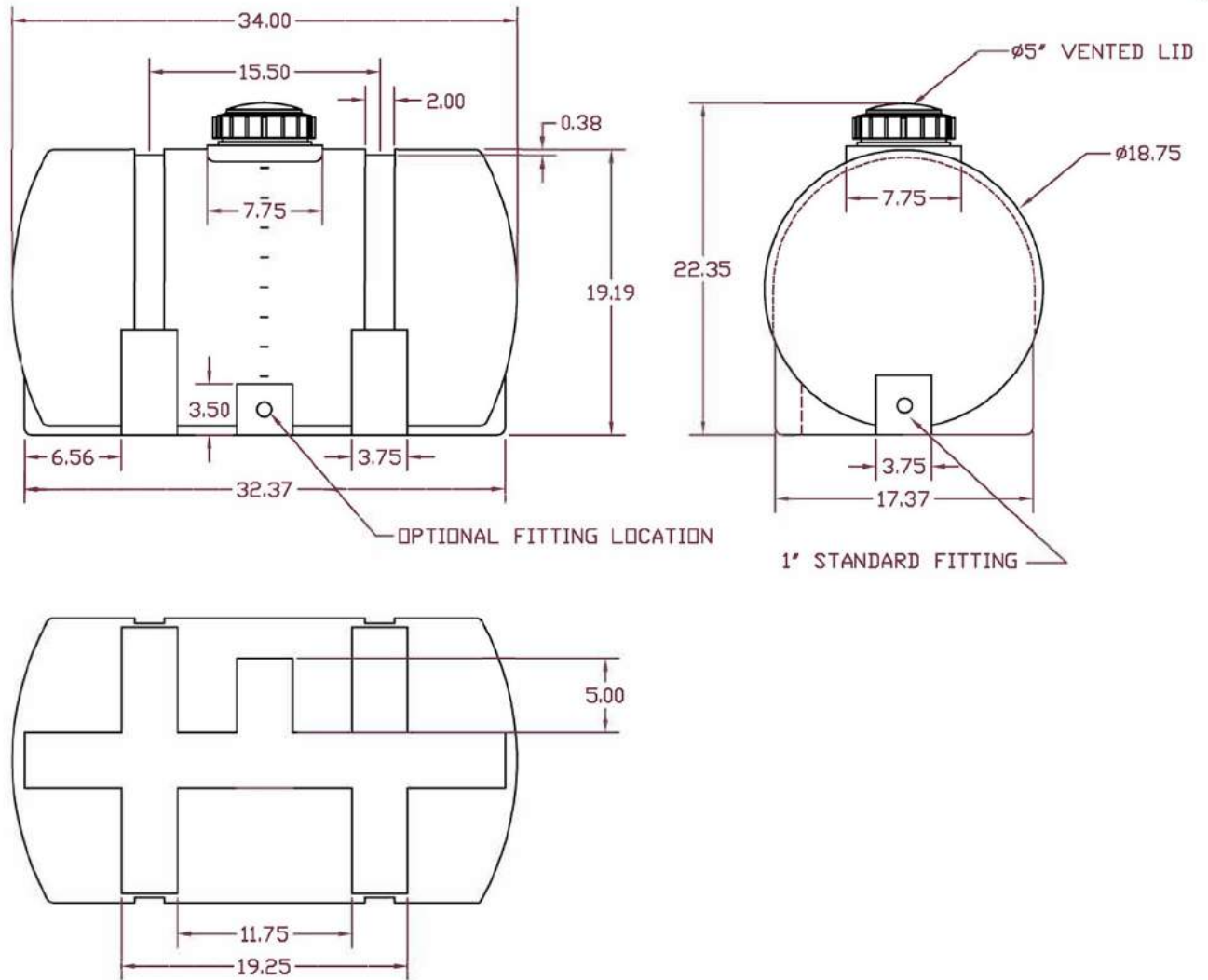


PROPRIETARY DATA

PROPERTY OF ACE ROTO-MOLD MFG., INC. INFORMATION FURNISHED HEREIN IS THE PROPERTY OF ACE ROTO-MOLD MFG., INC. AND SHALL NOT BE USED, DISCLOSED TO OTHERS, OR COPIED WITHOUT THE EXPRESSED WRITTEN CONSENT OF ACE ROTO-MOLD MFG., INC. ALL RIGHTS RESERVED.

B



				DRAWN / DATE DHJ 9/18/03		MATERIAL				
B	35 WAS 25	CCN1496	12/10/07	ADH	APPRD. / DATE REH 9/27/05		HOPE OR EQUIVALENT REFERENCE MATERIAL DATA SHEET FOR SPECIFIC PROPERTIES.		CLIENT / DESCRIPTION	
A	ADD FITTING		9/29/04						® 35 GALLON FREE STANDING TANK	
REV	DESCRIPTION		DATE	APPRD					SCALE	PART NO.
ALL DIMENSIONS ARE IN DECIMAL INCHES TOLERANCES UNLESS OTHERWISE SPECIFIED ± 1% @ 68° F					THIRD ANGLE PROJECTION ANSI 14.5M 		NOTES: 1. 0.152 NOM. WALL 2. BLACK, WHITE OR YELLO COLOR 2. SHOT WEIGHT 14 LBS.		N.S.	

HLA35

(866) 776-8265

PROTANK

sales@protank.com