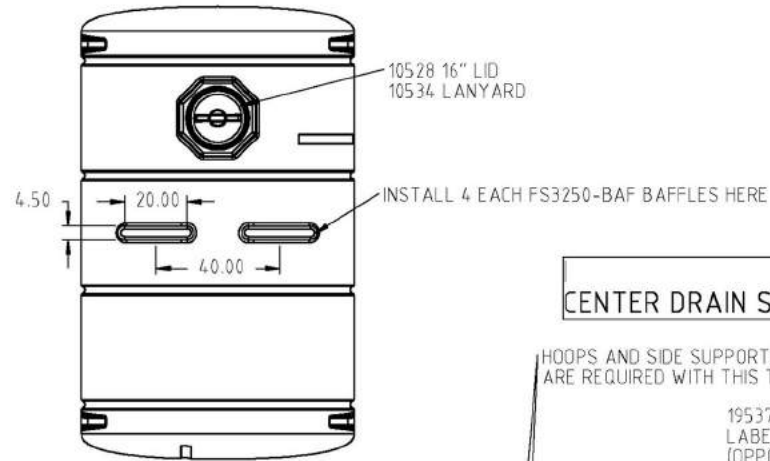


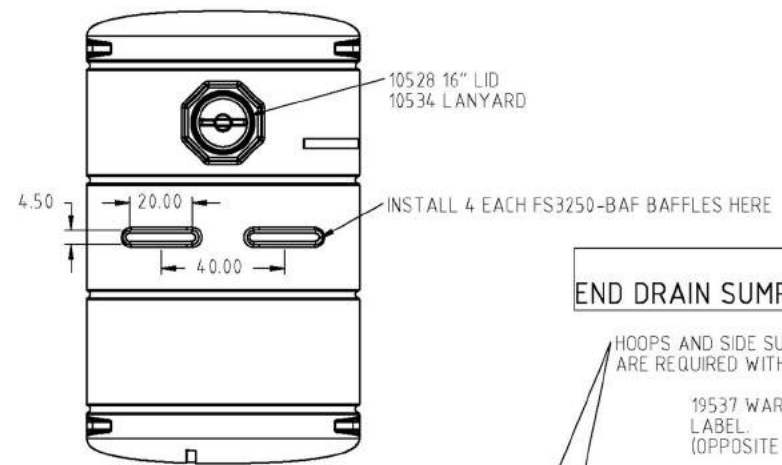
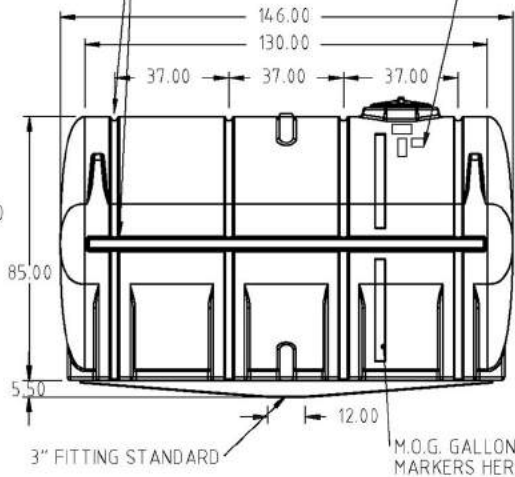
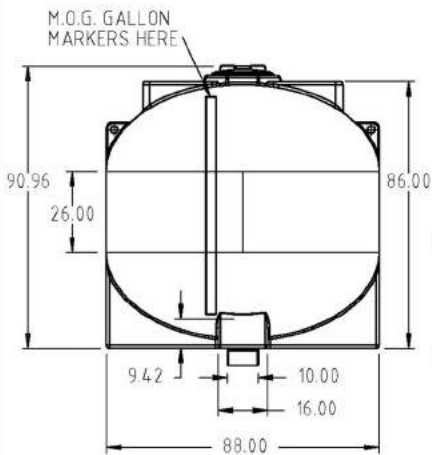
Copyright: All information furnished within this document, electronic file or design correspondence is the property of Den Hartog Industries, Inc. and shall not be used, disclosed to others or copied without the expressed written consent of Den Hartog Industries, Inc.



**CENTER DRAIN SUMP**

HOOPS AND SIDE SUPPORTS ARE REQUIRED WITH THIS TANK

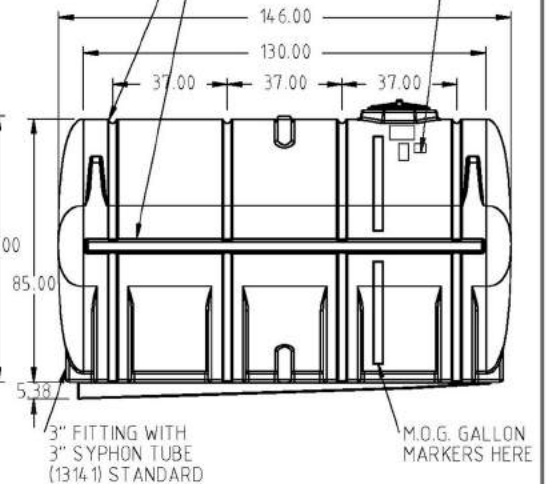
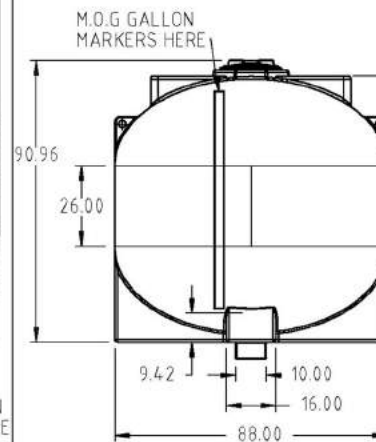
19537 WARNING LABEL (OPPOSITE SIDE)



**END DRAIN SUMP**

HOOPS AND SIDE SUPPORTS ARE REQUIRED WITH THIS TANK

19537 WARNING LABEL (OPPOSITE SIDE)



REV		DESCRIPTION	BY / DATE	CCN	DRAWN / DATE ADH 10/25/11	MATERIAL 10538 NATURAL	NOTES: 1.) 0.580 NOMINAL WALL 2.) BLUE, BLACK, WHITE OR YELLOW COLOR	DESCRIPTION 3750 GALLON ELLIPTICAL LEG TANK WITH SUMP	
APPRD. / DATE REH 7/18/12		THIRD ANGLE PROJECTION ANSI #5-51		SHOT WEIGHT: 1290 LBS.	SHIPPING WEIGHT: 1422 LBS.	FINISH:		SCALE N.S.	PART NO.
ALL DIMENSIONS ARE IN DECIMAL INCHES TOLERANCES UNLESS OTHERWISE SPECIFIED		POLYETHYLENE		METAL DECIMAL ± .125" FRACTION ± 1/4" ANGLE ± 1°	±1% @ 68°F				