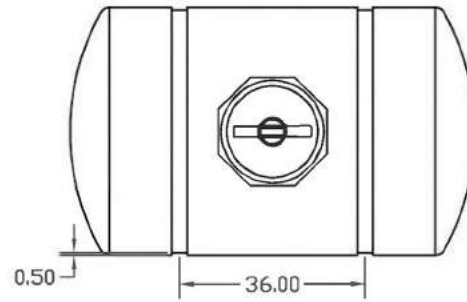
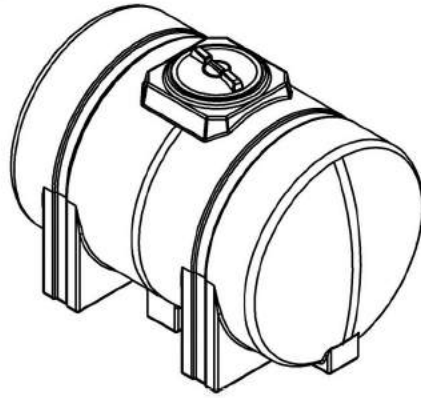
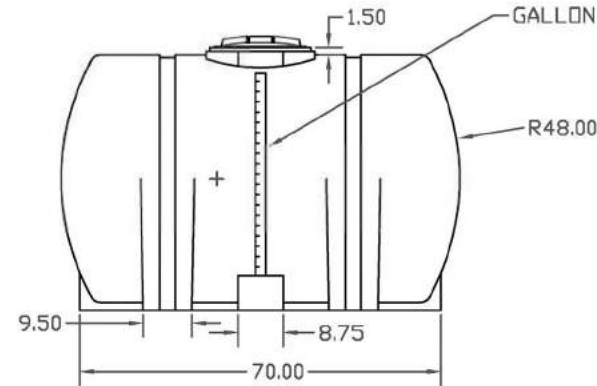


PROPRIETARY DATA

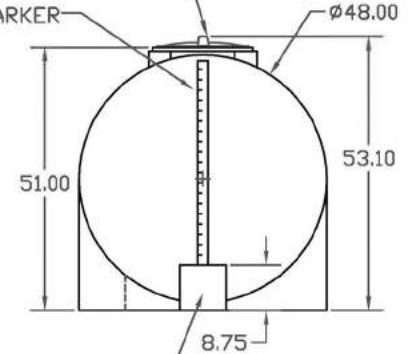
PROPERTY OF ACE ROTO-MOLD MFG, INC. INFORMATION FURNISHED HEREIN IS THE PROPERTY OF ACE ROTO-MOLD MFG, INC. AND SHALL NOT BE USED, DISCLOSED TO OTHERS, OR COPIED WITHOUT THE EXPRESSED WRITTEN CONSENT OF ACE ROTO-MOLD MFG, INC. ALL RIGHTS RESERVED.



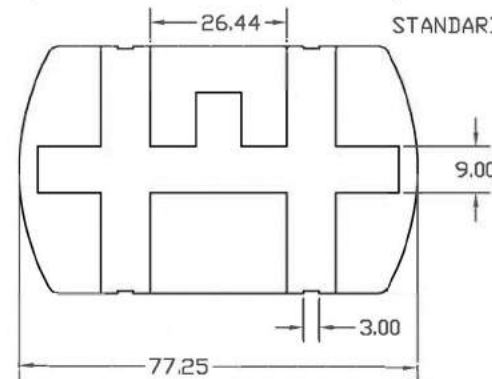
Ø16" LID WITH AIR BREATHER



GALLON MARKER

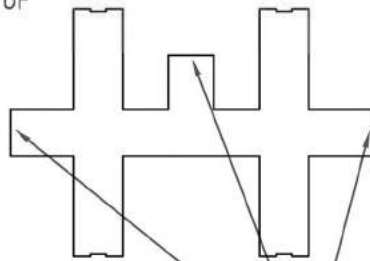


STANDARD FITTING LOCATION 2 INCH STANDARD



CUTAWAY VIEW OF BOTTOM INSIDE OF TANK

TROUGH PROMOTES DRAINAGE OF TANK



TANK FITTING CAN BE INSTALLED ON ANY OF THESE 3 SUMP LOCATIONS

				DRAWN / DATE NVE 7/25/05	MATERIAL HDPE OR EQUIVALENT REFERENCE MATERIAL DATA SHEET FOR SPECIFIC PROPERTIES.			
				APPRD. / DATE DHJ 10/14/05			CLIENT / DESCRIPTION 535 GALLON FREE STANDING LEG TANK	
REV	DESCRIPTION	DATE	APPRD			SCALE		PART NO.
ALL DIMENSIONS ARE IN DECIMAL INCHES TOLERANCES UNLESS OTHERWISE SPECIFIED ± 1% @ 68°F				THIRD ANGLE PROJECTION ANSI 14.5M 		NOTES: 1. WHITE, YELLOW 2. SHOT WEIGHT 160 LBS. 3. NOM. WALL @ .285		N.S.