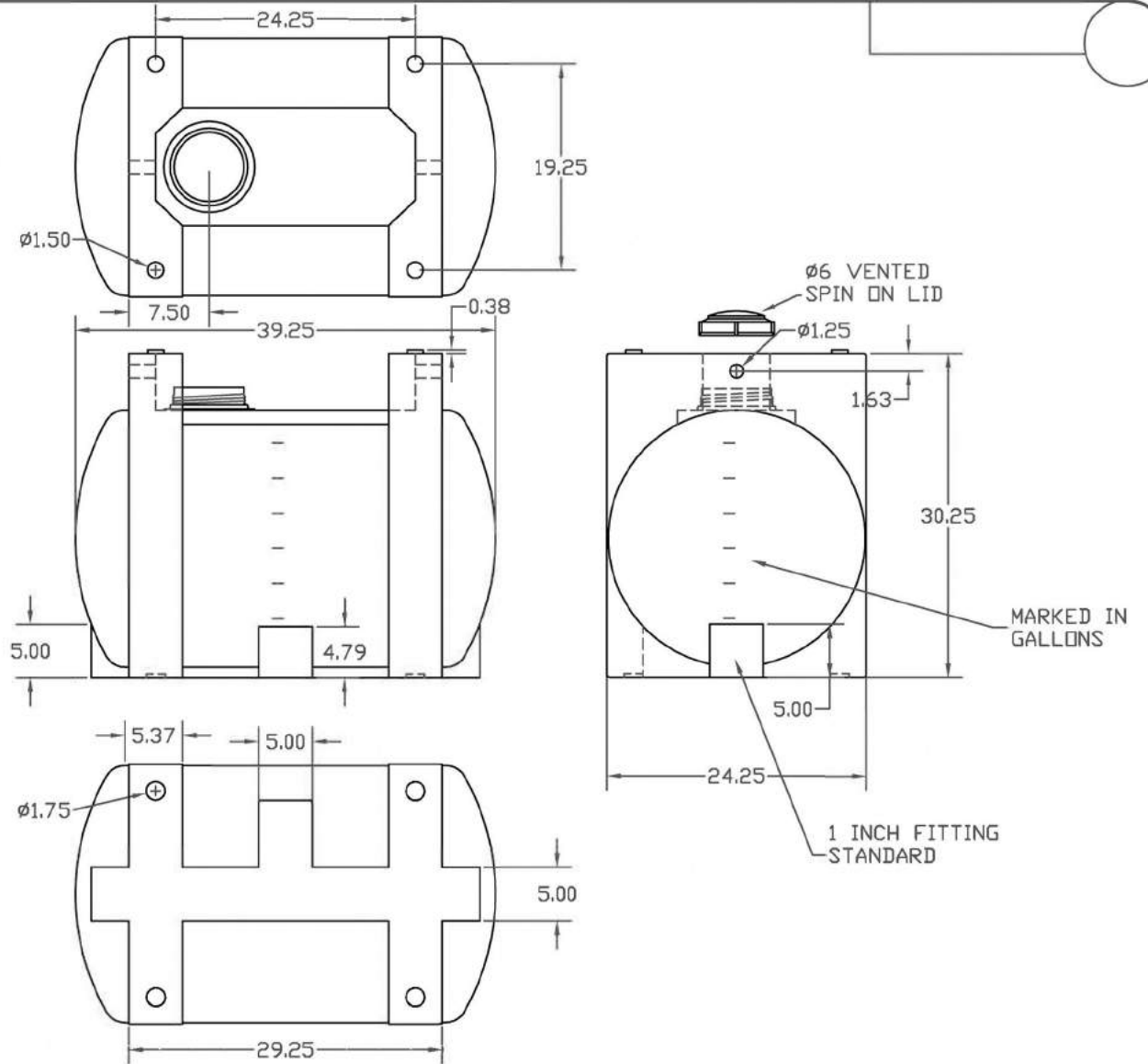


PROPRIETARY DATA

PROPERTY OF ACE ROTO-MOLD MFG., INC. INFORMATION FURNISHED HEREIN IS THE PROPERTY OF ACE ROTO-MOLD MFG., INC. AND SHALL NOT BE USED, DISCLOSED TO OTHERS, OR COPIED WITHOUT THE EXPRESSED WRITTEN CONSENT OF ACE ROTO-MOLD MFG., INC. ALL RIGHTS RESERVED.



			DRAWN / DATE DHJ 12-28-04	MATERIAL / SHOT WEIGHT HDPE 35 LBS.	CLIENT / DESCRIPTION 70 GALLON STACKABLE LEG TANK
			APPRD. / DATE ADH 11-9-07		
REV	DESCRIPTION	DATE APPRD.			SCALE NONE
ALL DIMENSIONS ARE IN DECIMAL INCHES TOLERANCES UNLESS OTHERWISE SPECIFIED ±1% @ 68° F			THIRD ANGLE PROJECTION ANSI 14.5M 	NOTES: 1. STACKS THREE HIGH 2. BLACK, WHITE, OR YELLOW COLOR 3. NOM. WALL .200	PART NO.

HLA70

(866) 776-8265

PROTANK

sales@protank.com