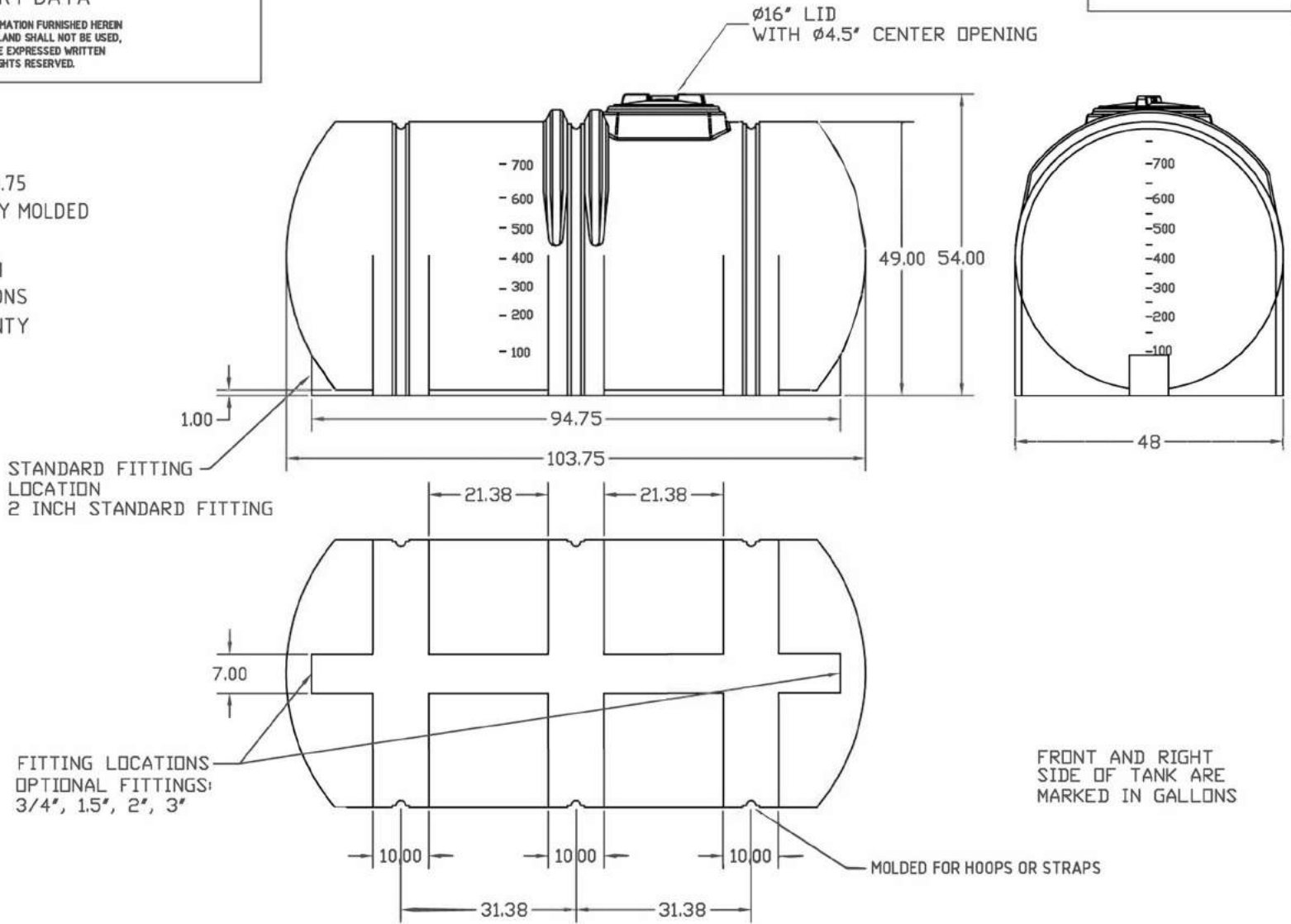


PROPRIETARY DATA

PROPERTY OF ACE ROTO-MOLD MFG., INC. INFORMATION FURNISHED HEREIN IS THE PROPERTY OF ACE ROTO-MOLD MFG., INC. AND SHALL NOT BE USED, DISCLOSED TO OTHERS, OR COPIED WITHOUT THE EXPRESSED WRITTEN CONSENT OF ACE ROTO-MOLD MFG., INC. ALL RIGHTS RESERVED.

B

1. SPECIFIC GRAVITY IS 1.75
2. 1 PIECE ROTATIONALLY MOLDED
3. TRANSLUCENT
4. FDA APPROVED RESIN
5. CALIBRATED IN GALLONS
6. THREE YEAR WARRANTY
7. UV STABILIZED
8. FREE STANDING



FRONT AND RIGHT SIDE OF TANK ARE MARKED IN GALLONS

			DRAWN / DATE DHJ 12/3/97	MATERIAL		
B	CLEARIFY FITTING LOCATION	7/26/05 - DHJ	APPRD. / DATE ADH 11/9/07	HOPE OR EQUIVALENT REFERENCE MATERIAL DATA SHEET FOR SPECIFIC PROPERTIES.	CLIENT / DESCRIPTION	
A	ADDED SUPPORTING RIBS AT CENTER	7/26/05 - NVE			735 GALLON LEG TANK	
REV	DESCRIPTION	DATE APPRD			SCALE N.S.	PART NO.
ALL DIMENSIONS ARE IN DECIMAL INCHES TOLERANCES UNLESS OTHERWISE SPECIFIED $\pm 1\% @ 68^\circ F$			THIRD ANGLE PROJECTION ANSI 14.5M 	NOTES: 1. BLACK, WHITE, YELLOW OR DESERT TAN COLOR 2. SHOT WEIGHT 250 LBS. 3. NOM. WALL @ .350		

HLA735

(866) 776-8265

PROTANK

sales@protank.com