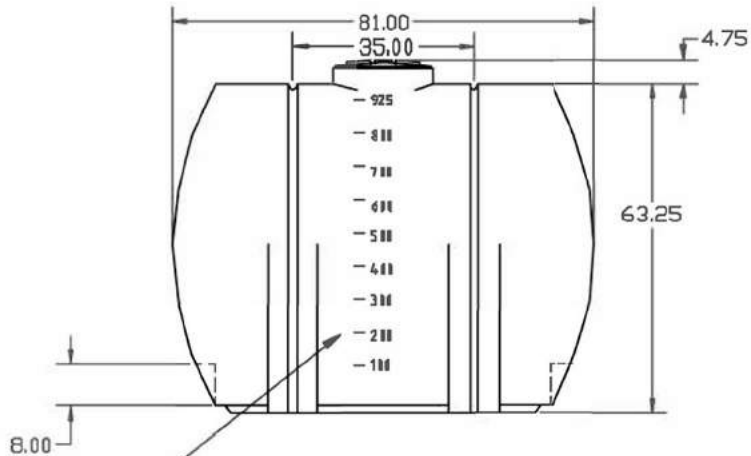
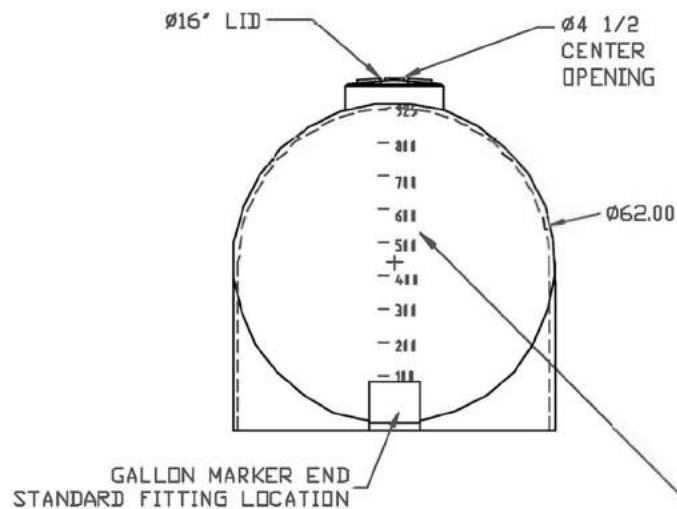


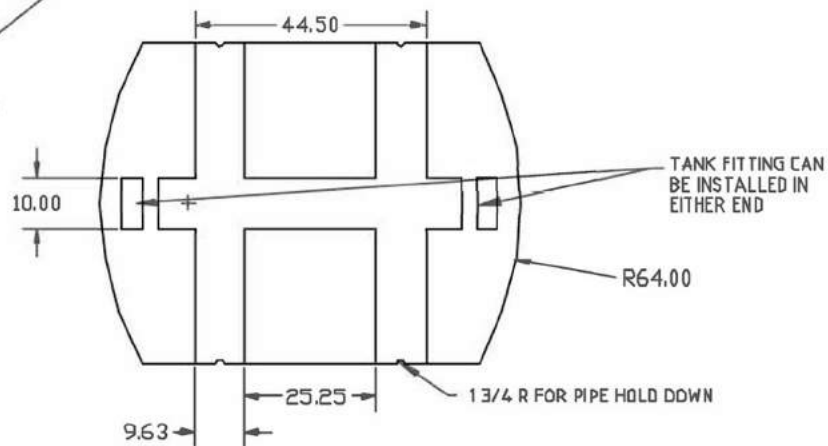
PROPRIETARY DATA

PROPERTY OF ACE ROTO-HOLD MFG, INC. INFORMATION FURNISHED HEREIN IS THE PROPERTY OF ACE ROTO-HOLD MFG, INC. AND SHALL NOT BE USED, DISCLOSED TO OTHERS, OR COPIED WITHOUT THE EXPRESSED WRITTEN CONSENT OF ACE ROTO-HOLD MFG, INC. ALL RIGHTS RESERVED.

B



FRONT AND LEFT SIDE OF TANK ARE MARKED IN GALLONS



		DRAWN / DATE DHJ 3/15/94		MATERIAL	
B	CLARIFY STANDARD FITTING LOCATION	CCN1294 11/16/06		HDPE OR EQUIVALENT REFERENCE MATERIAL DATA SHEET FOR SPECIFIC PROPERTIES.	
A	NEW DRAWING FORMAT	11/11/15 NVE	APPRD. / DATE REH 4/12/17	CLIENT / DESCRIPTION 925 GALLON FREE-STANDING TANK	
REV	DESCRIPTION	DATE	APPRD	SCALE N.S.	PART NO.
ALL DIMENSIONS ARE IN DECIMAL INCHES TOLERANCES UNLESS OTHERWISE SPECIFIED $\pm 1\% @ 68^\circ F$			THIRD ANGLE PROJECTION ANSI #5.5 	NOTES: 1. WHITE AND YELLOW COLOR 2. SHOT WEIGHT 29# LBS. 3. OPTIONAL 1", 1.5", 2", OR 3" FITTING 4. NOM. WALL 1.361	