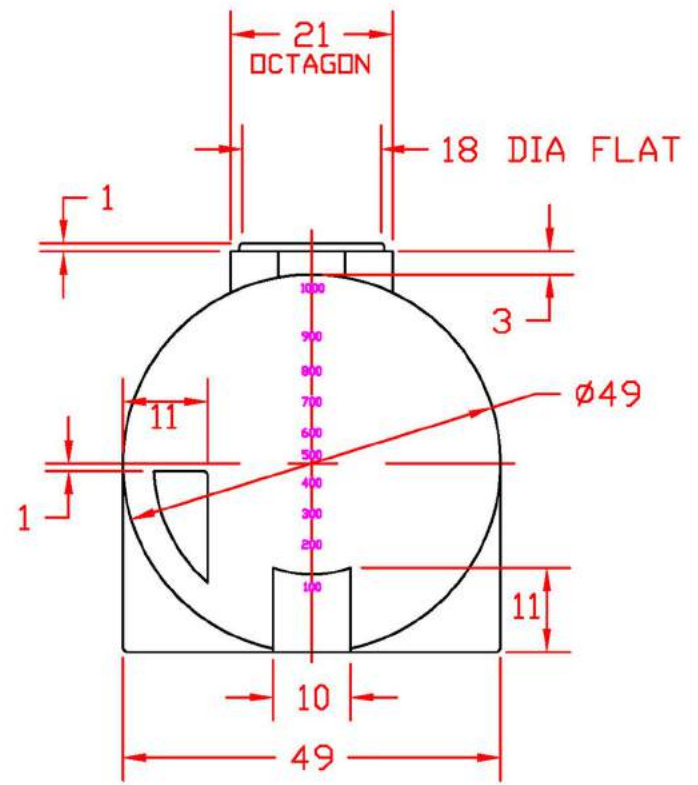
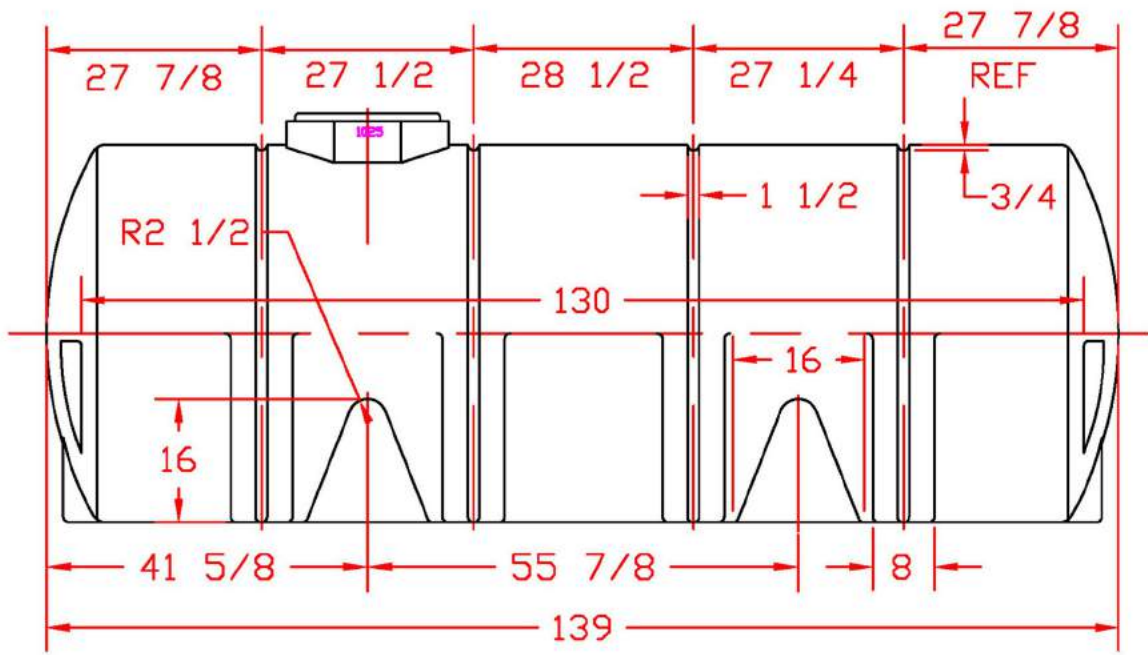


REVISIONS				
ZONE	REV	DESCRIPTION	DATE	APPROVED
	C	REDRAWN	06MAY97	



		1025 GALLON HORIZONTAL STORAGE TANK		
JTP	06MAY97	SIZE A	FSCM NO.	DWG NO.
		SCALE 1/24	SHEET	
				REV C

HLN1025

(866) 776-8265

PROTANK

sales@protank.com