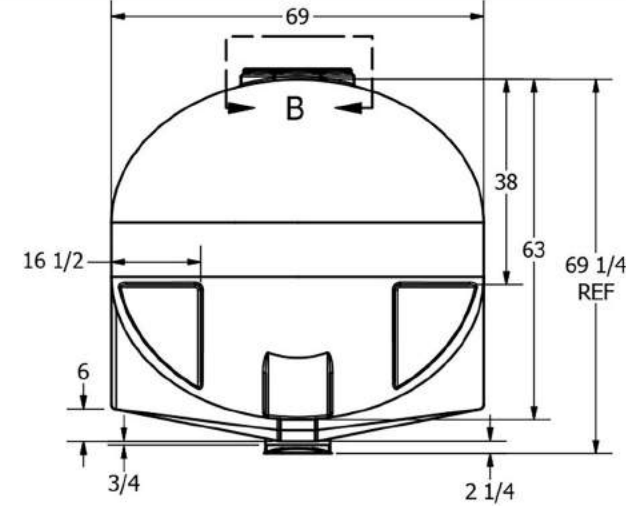
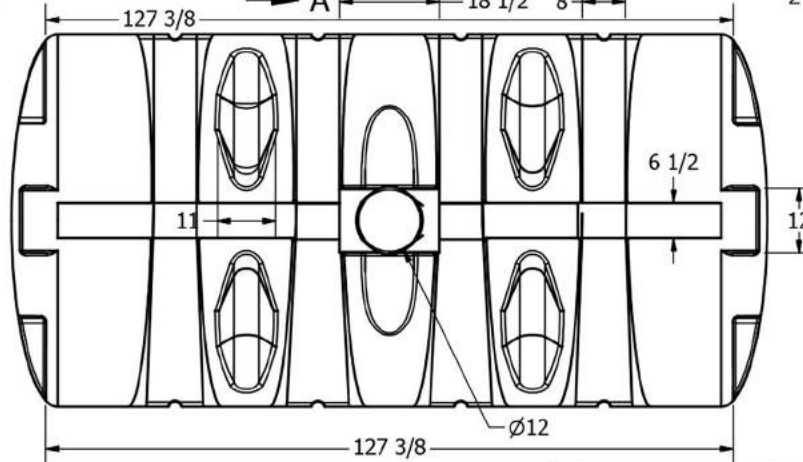
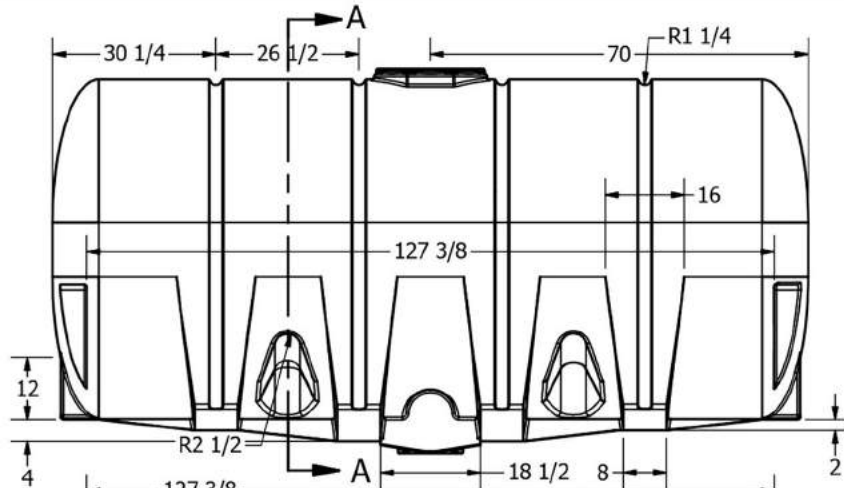
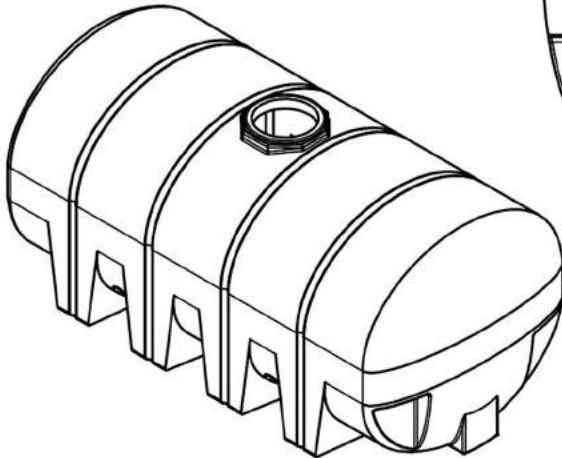


SECTION A-A
SCALE 1/24



DETAIL B
SCALE 1 / 12



| | | |
|----------|---------------|-----------|
| DRAWN | Jerry Paulson | 9/21/2010 |
| CHECKED | | |
| QA | | |
| MFG | | |
| APPROVED | | |

| | | |
|---------------------------------------|--------|--------------|
| TITLE | | |
| 2010 GALLON ELLIPTICAL DRAINABLE TANK | | |
| SIZE | DWG NO | REV |
| B | | |
| SCALE: 1/24 | | SHEET 1 OF 1 |