

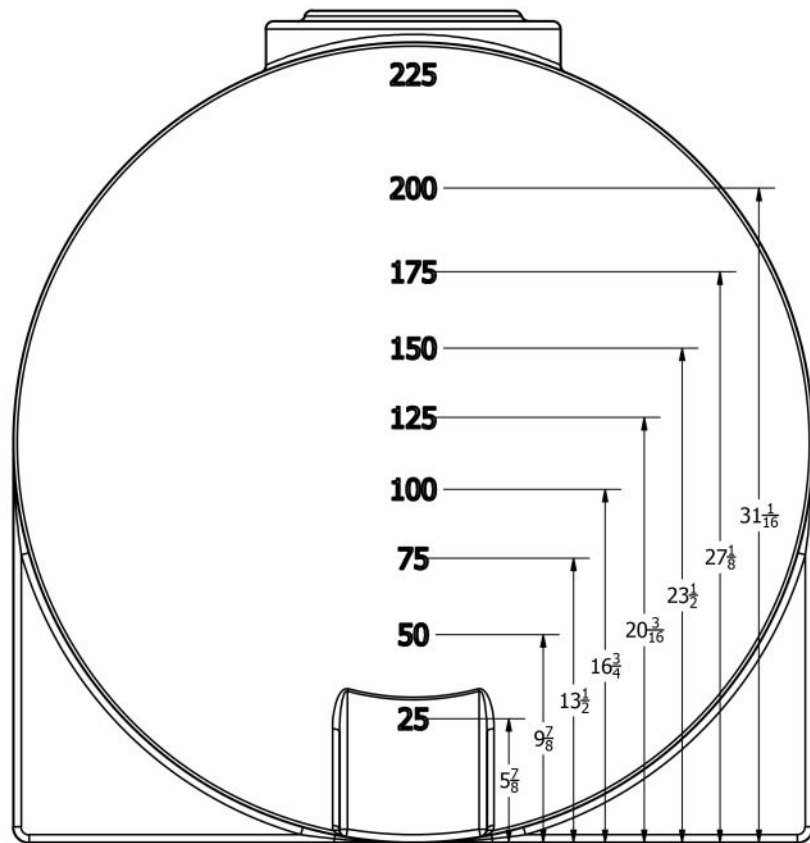
A

B

FOB OWEGO, NY FAIRFIELD, TX & SHAWNEE, OK

REVISION HISTORY			
REV	DESCRIPTION	DATE	AUTHOR
A	OH DELETED	1/4/2005	
B	TX ADDED	4/19/2007	
C	REDRAWN	7/12/2013	Michael Holden
DRAWN Jerry Paulson		3/7/1996	
CHECKED			
QA			
MFG			
APPROVED			
		SIZE B	REV C
		DWG NO	
		SCALE: 1/16	SHEET 1 OF 2

TITLE
225 GALLON HORIZONTAL LEG TANK



GALLONAGE MARKS ON BOTH ENDS

DRAWN Jerry Paulson	3/7/1996			
CHECKED		TITLE		
QA		225 GALLON HORIZONTAL LEG TANK		
MFG				
APPROVED				
		SIZE B	DWG NO	REV C
		SCALE: 1/16	SHEET 2 OF 2	