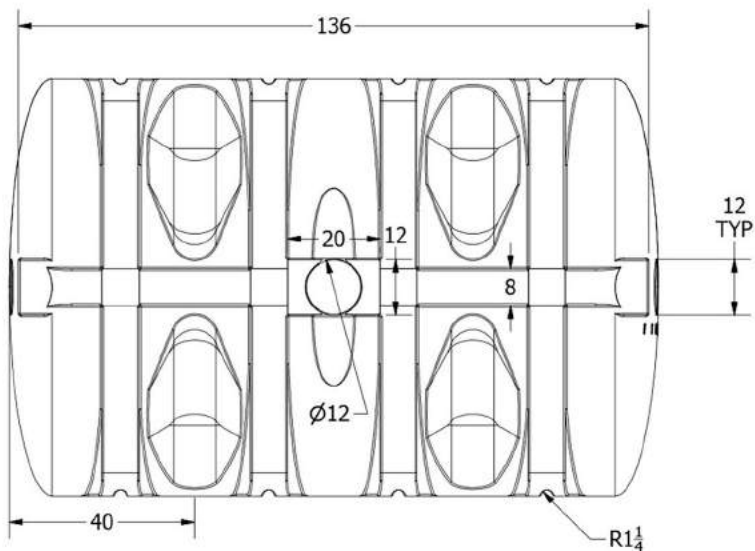
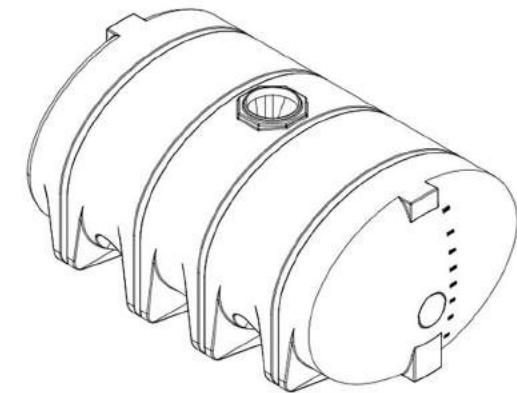


SECTION A-A
SCALE 1:8



REVISION HISTORY			
REV	DESCRIPTION	DATE	AUTHOR
A	WAS 22 1/2	5/6/2002	
B	REDRAWN	7/30/2013	Michael Holden
DRAWN Jerry Paulson		5/21/2001	
CHECKED			
QA		TITLE	
MFG		2610 GALLON ELLIPTICAL DRAINABLE LEG TANK	
APPROVED			
SIZE	DWG NO	REV	
B		B	
SCALE: 1/16		SHEET 1 OF 2	