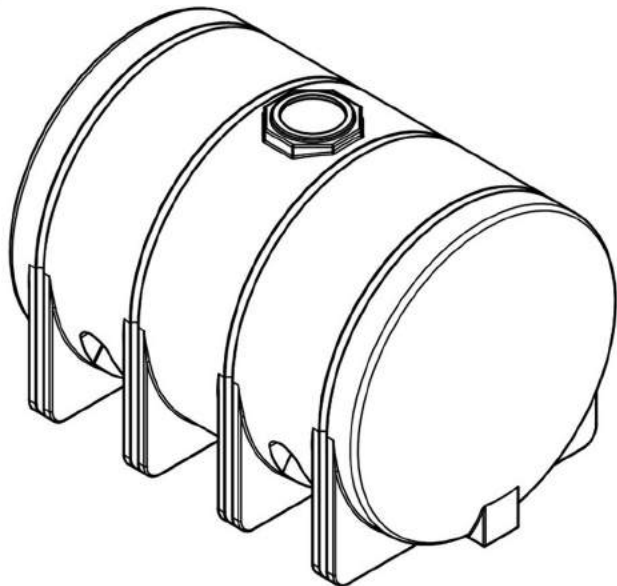
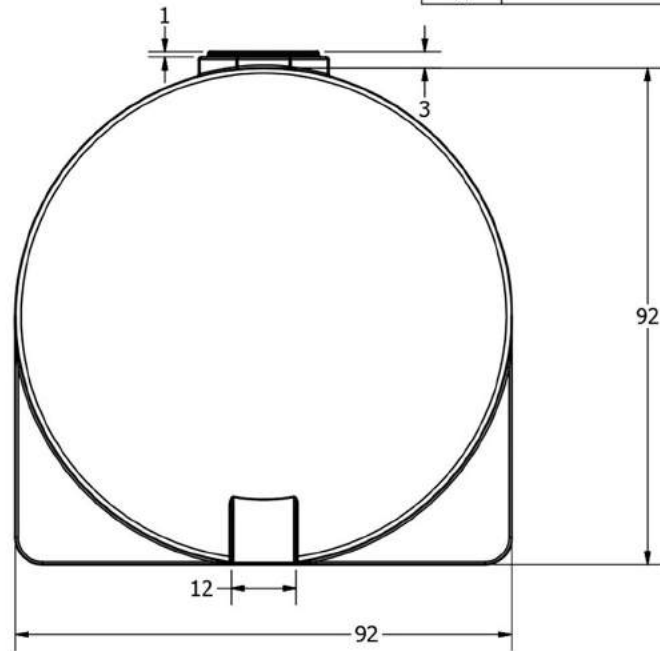
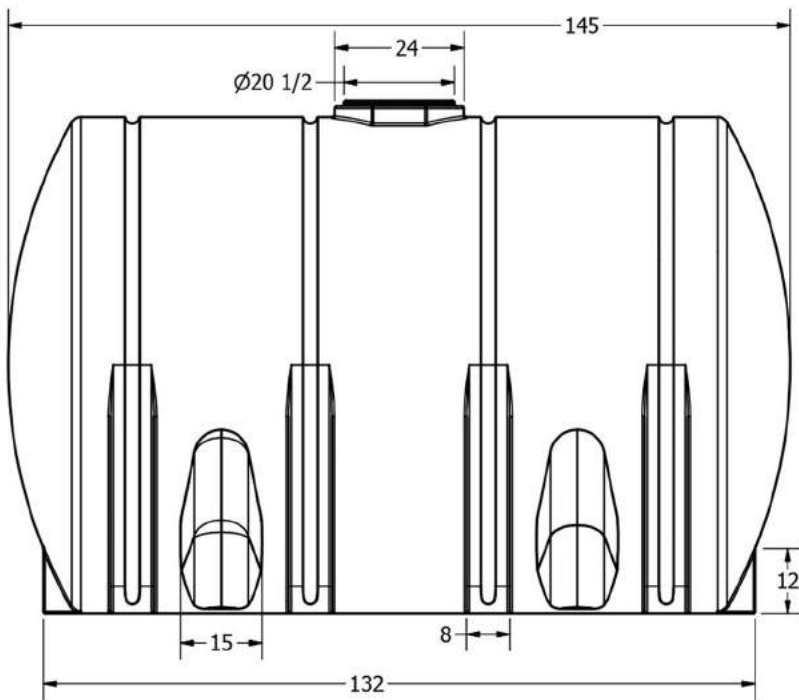


REVISION HISTORY			
REV	DESCRIPTION	DATE	ENGINEER
A	Redrawn with revised end sumps	8/15/2013	Jerry Paulson



DRAWN Jerry Paulson	8/15/2013	TITLE	
CHECKED		3725 GALLON HORIZONTAL LEG TANK	
QA		SIZE	DWG NO
MFG		B	
APPROVED		SCALE: 1/16	REV A
		SHEET 1 OF 1	

HLN3725

(866) 776-8265

PROTANK

sales@protank.com