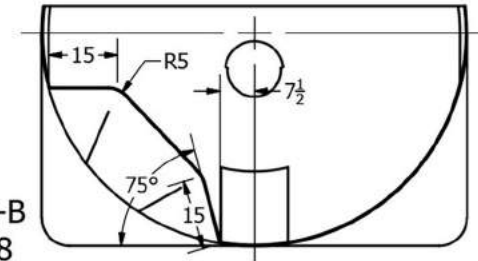
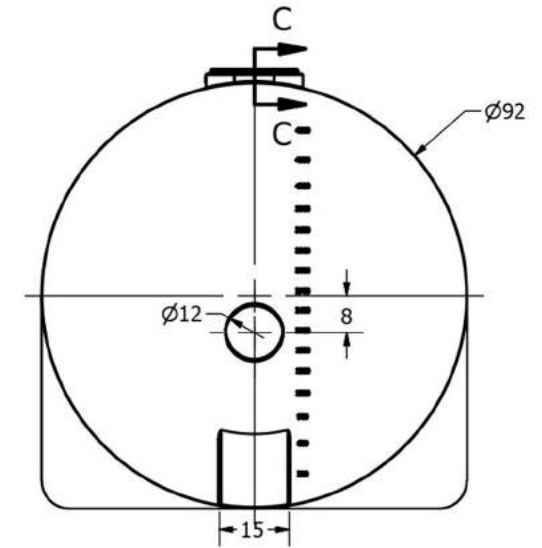
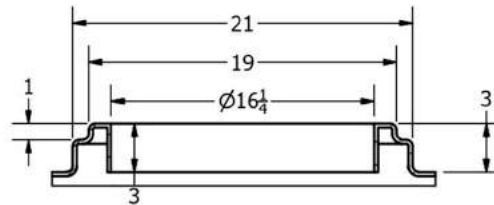


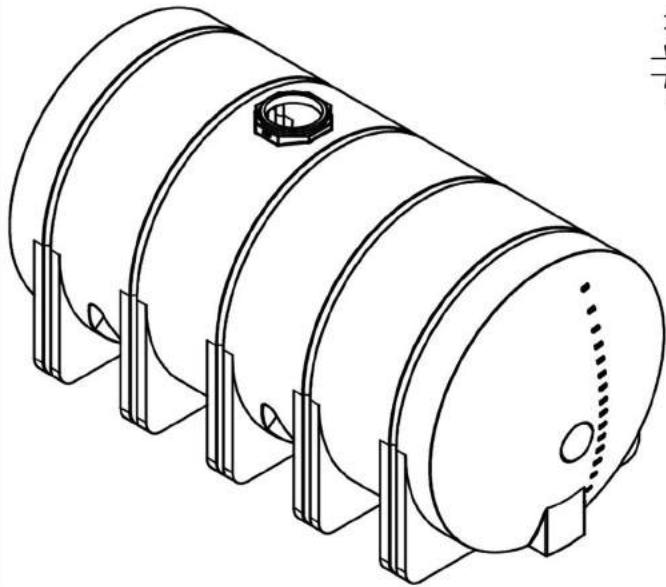
VIEW A-A
SCALE 1:60



SECTION B-B
SCALE 1:28



SECTION C-C
SCALE 1:8



REVISION HISTORY			
REV	DESCRIPTION	DATE	AUTHOR
A	REDRAWN	7/17/2013	Michael Holden
DRAWN Jerry Paulson		8/4/2003	TITLE 5025 GALLON HORIZONTAL LEG TANK
CHECKED			
QA			
MFG			
APPROVED			
SIZE B		DWG NO	REV A
SCALE: 1/16		SHEET 1 OF 2	