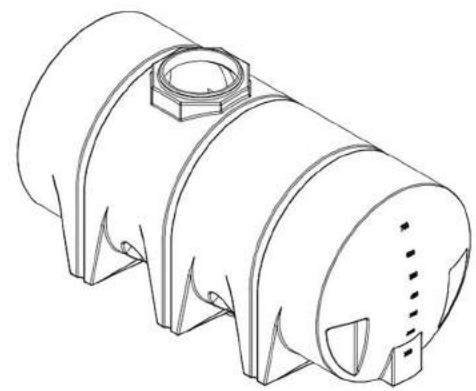


SECTION A-A
SCALE 1:8



SECTION B-B
SCALE 1:16

REVISION HISTORY			
REV	DESCRIPTION	DATE	AUTHOR
A	REDRAWN	7/30/2013	Michael Holden
DRAWN Jerry Paulson		5/2/1995	
CHECKED			
QA		TITLE	
MFG		710 GALLON HORIZONTAL DRAINABLE TANK	
APPROVED		SIZE	DWG NO
		B	
		SCALE: 1/16	SHEET 1 OF 2
			REV A