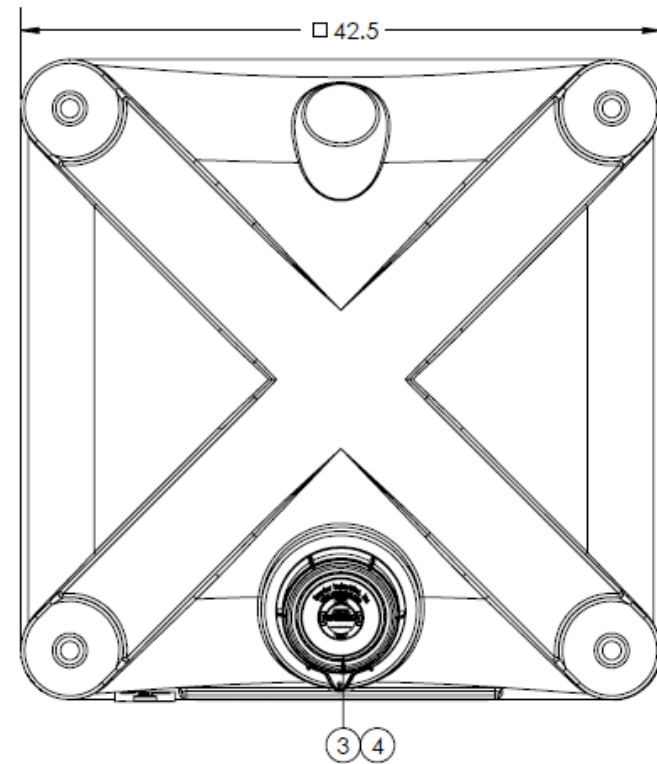
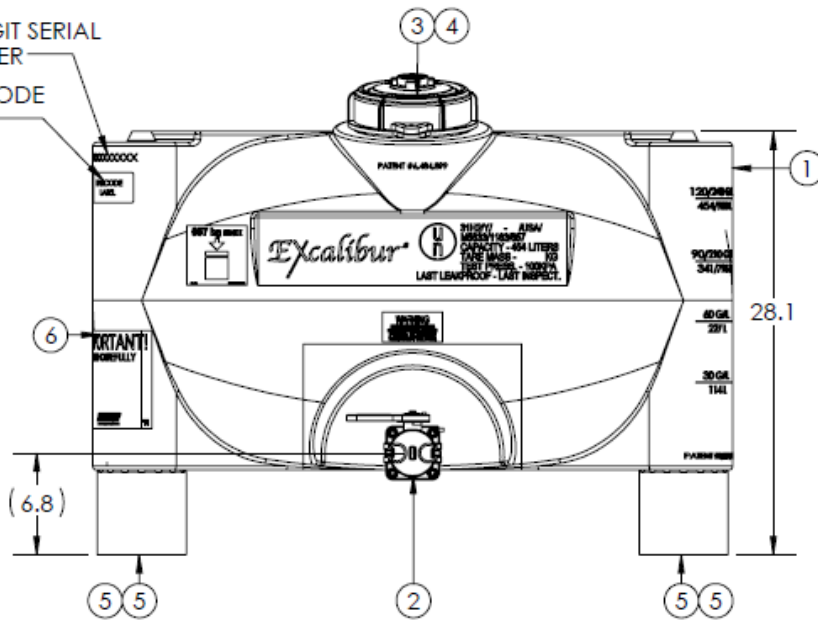


10 DIGIT SERIAL NUMBER  
 BARCODE LABEL



LOGO PLATE TO READ:



U.N. MARKINGS TO READ:



6	1	34701648	STD IBC ASSEMBLY KIT - NO BAG
5	4	34300341	EXCAL2 FOOT PE BLACK
4	1	34700822	ASM VENT PE 2IN VACUUM SII W/EPDM
3	1	34300314	CAP 6IN HDLPE W/2IN NPS W/EPDM
2	1	34702616	ASM VALVE 2IN 4-BOLT STUBBY 100KPA
1	1	6570000B96001	ASM TK 120 EXCAL NAT ORB/0INS 6C 1.35

ITEM NO.	QTY.	PART NUMBER	DESCRIPTION
DO NOT SCALE		DRAWN BY	TITLE
STATUS: Released		SB	ASM TK 120 EXCAL2 NAT 1.35 EPDM STD
© SNYDER INDUSTRIES, INC., 2018		(402) 467-5221 www.snydernet.com	PART NO. 6570000B96002
ALL DIMENSIONS, DESIGNS, AND INFORMATION ON THIS PRINT MUST BE CONSIDERED PROPRIETARY TO SNYDER INDUSTRIES, INC. AND MAY NOT BE USED, COPIED, OR DISTRIBUTED WITHOUT WRITTEN PERMISSION OF AN OFFICER (OR HIS AGENT) OF THE FIRM.		ENG. ID. D008655	REVISION A SHEET 1 OF 1

ALL DIMENSIONS ARE IN INCHES, NOMINAL, & SUBJECT TO CHANGE WITHOUT NOTICE.  
 ALL DIMENSIONS ON ROTATIONAL MOLDED PARTS ARE SUBJECT TO A ± 3% TOLERANCE.

IBS120-E

(866) 776-8265

PROTANK

sales@protank.com