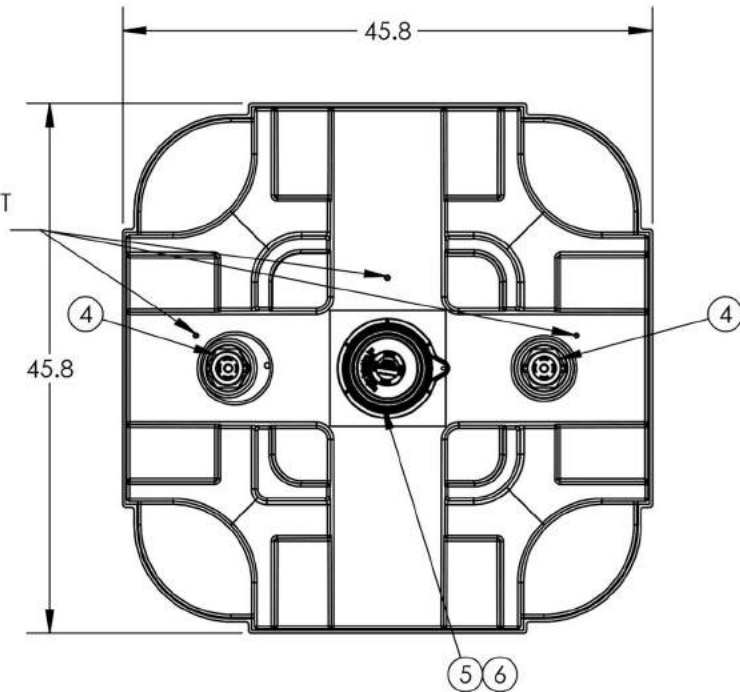


1/4"-20 SS INSERT LOCATIONS



UN MARKING READS:

**UN**  
**31H2/Y/ / /USA**  
**SNYDER IND. INC.**  
**LINCOLN, NE 4462 / 2479**  
**CAPACITY - 1249 LITERS**  
**TARE MASS - KG**  
**GAUGE TEST PRESSURE - 100 KPA**  
**LAST LEAKPROOFNESS TEST - /**  
**LAST INSPECTION - /**

**SNYDER INDUSTRIES, INC U.N. MARKED CONTAINER CLOSURE NOTIFICATION.**  
 ALL DIMENSIONS ARE IN INCHES, NOMINAL, & SUBJECT TO CHANGE WITHOUT NOTICE.  
 ALL DIMENSIONS ON ROTATIONAL MOLDED PARTS ARE SUBJECT TO A ± 3% TOLERANCE.

**STANDARD 330 SQUARE STACKABLE "STANDARD PACKAGE OF EQUIPMENT"**

7	1	34701262	STD IBC ASSEMBLY KIT W/BAG
6	1	34700822	ASM VENT PE 2IN VACUUM SII W/EPDM
5	1	34700391	ASM CAP PE 6IN H.DUTY 2IN NPT-EPDM W/TIE
4	2	34700340	ASM PLUG 2IN NPS BUNG W/EPDM-WHITE
3	1	34700718	ASM VALVE 2IN 4-BOLT STUBBY 100KPA
2	1	6550000B96701	ASM BASE SQ STK H.DUTY HD/BLK
1	1	6610056B97201	ASM TK 330 SQ HD/NAT BDR 2RB/3INS 6CAP
ITEM NO.	QTY.	PART NUMBER	DESCRIPTION
STATUS:		DO NOT SCALE	DRAWN BY
Released			ET3
© SNYDER INDUSTRIES INC., 2015			
TITLE:			REVISION
ASM TK 330 SQ NAT 2RB/3IN 6C HD-BLK EPDM			A
PART NO.			SHEET
			1 OF 1
ENG. ID.			