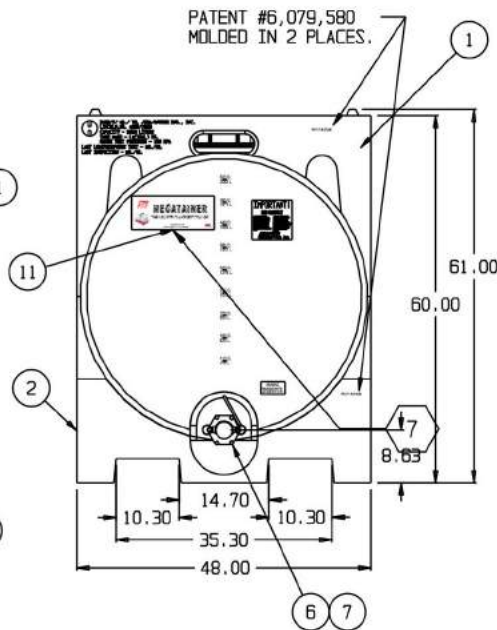
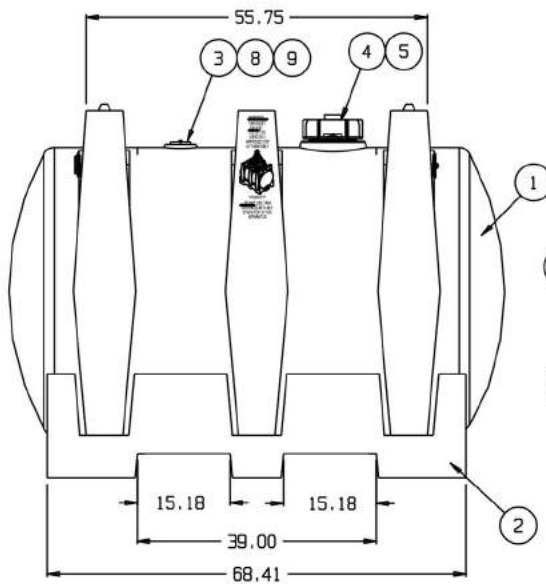
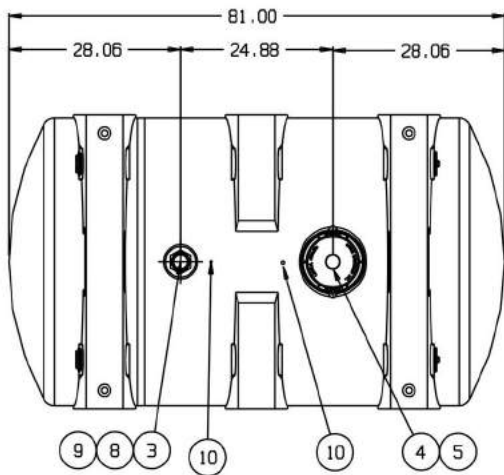


LATEST REVISION			
REV	DESCRIPTION	DATE	DRAWN BY
1	ADDED 1/4-20 INSERT (ECR 1043)	02/16/10	H.H.S.



APPROVED: _____

SIGNATURE: _____ DATE: _____
DRAWING NOT VALID UNLESS SIGNED

* DENOTES THAT A CUTSHEET EXISTS FOR THIS ITEM IN THE I.B.C. CUTSHEET MANUAL DATABASE.
% DENOTES THAT THIS IS A LINE ITEM ON THE ORDER.

16	X	X	X
15	X	X	X
14	X	X	X
13	X	X	X
12	X	X	X
11	DECAL MEGATAINER	1	
10	INSERT SS 1/4-20 (MAS #1020101)	2	
9	BUNG GFPP 2IN NPS REPLCBL BLACK	1	
8	O-RING VITON 2-1/2 X .139 70D	1	
7	X	X	X
* 6	ASM VALVE 2IN 4 BOLT BTM STUBBY FP	1	
* 5	ASM VENT PE 2IN VACUUM SII W/EPDM	1	
* 4	ASM CAP PE 2IN NPS GEM/TIE W/EPDM	1	
* 3	ASM PLUG 2IN NPS BUNG W/EPDM WHITE	1	
* 2	ASSEMBLY BASE 550 MEGA HD/RED	1	
% * 1	TK 550 MEGA HD/NAT NO TOPLIFT INSERT	1	
ITEM#	DESCRIPTION	QTY.	P/N

(all dimensions in inches)

PART NUMBER TANK:

550 GALLON MEGATAINER I.B.C.

PO#:
REF#: 00000

QTY:
09/16/2011

IBS550-MLX

(866) 776-8265

PROTANK

sales@protank.com