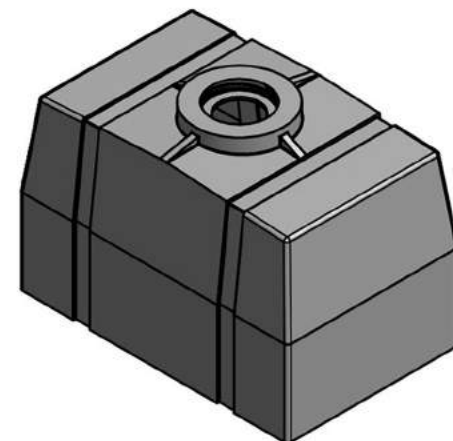
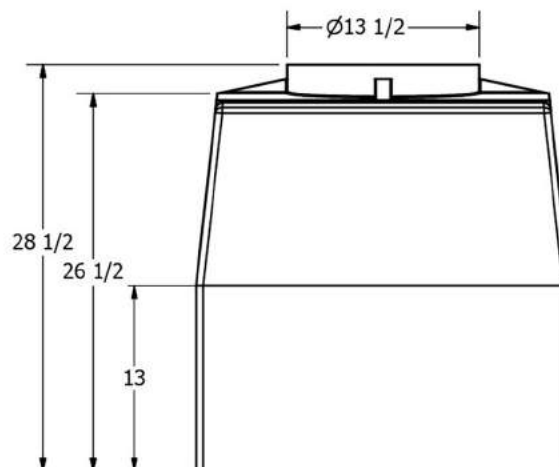
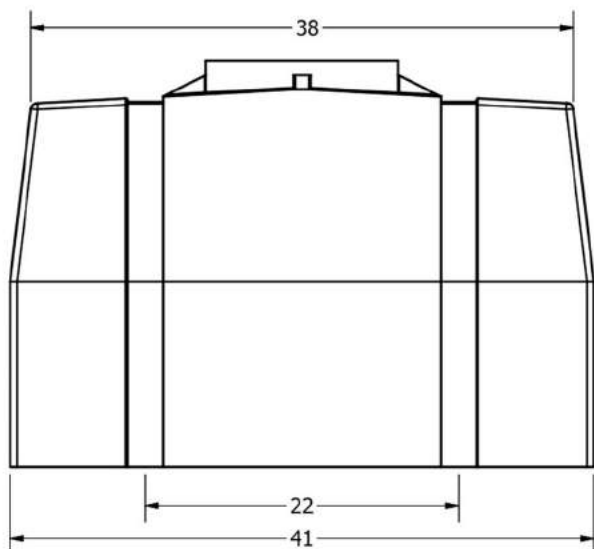


SECTION A-A



DRAWN Liv Oltean	7/10/2014	TITLE 100 GALLON LOAF TANK		
CHECKED				
QA				
MFG				
APPROVED		SIZE B	DWG NO	REV A
		SCALE: 1/16	SHEET 1 OF 1	