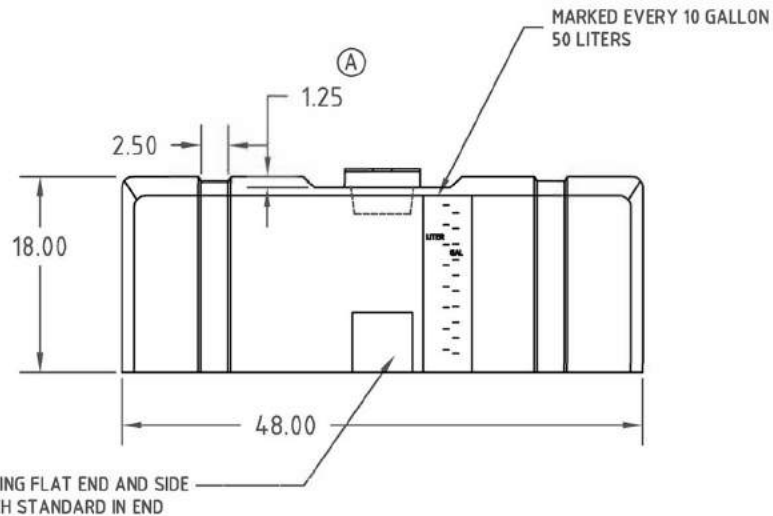
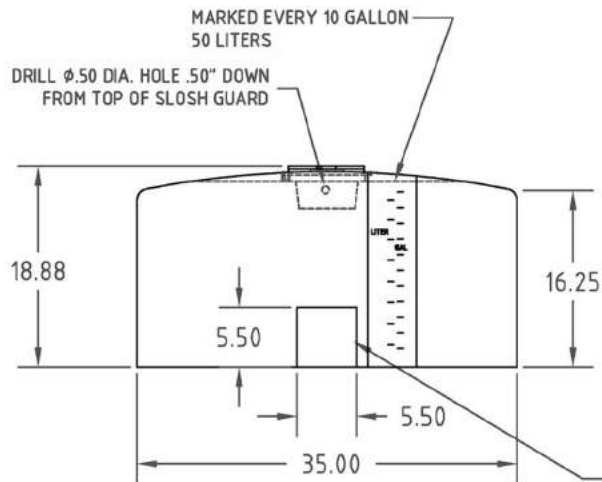
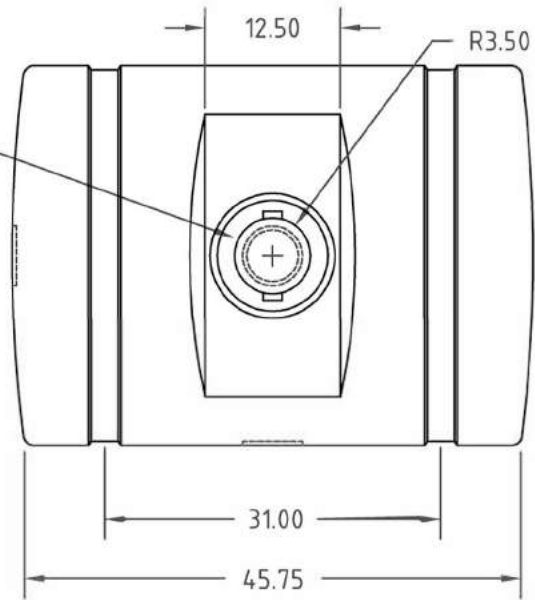


PROPRIETARY DATA

PROPERTY OF ACE ROTO-MOLD MFG., INC. INFORMATION FURNISHED HEREIN IS THE PROPERTY OF ACE ROTO-MOLD MFG., INC. AND SHALL NOT BE USED, DISCLOSED TO OTHERS, OR COPIED WITHOUT THE EXPRESSED WRITTEN CONSENT OF ACE ROTO-MOLD MFG., INC. ALL RIGHTS RESERVED.

E

- ① LID OPTIONS
 (STANDARD) 5 INCH HINGED FILL WELL #19406
 5 INCH SPIN ON #10522
 7 INCH SPIN ON #12414
 8 INCH LID & RING #10525

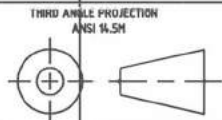


E	ADDED 5", 7", 8" LID OPTIONS	DHJ 1/25/12	2375
D	PART NUMBER UPDATED CCN 1700	ADH 8/19/08	
C	LID RECESS ADDED 3/7/06		
B	CHANGED WEIGHT TO 58 LB 2/10/06		
A	CHANGE PRINT TO MATCH PART 2/9/06		
REV	DESCRIPTION	DATE APPRD	CCN

DRAWN / DATE DHJ 6/14/05	MATERIAL
APPRD. / DATE ADH 11/19/07	HDPE OR EQUIVALENT REFERENCE MATERIAL DATA SHEET FOR SPECIFIC PROPERTIES.

CLIENT / DESCRIPTION
110 GAL. LOW PROFILE RECTANGULAR TANK
SCALE N.S.
PART NO.

ALL DIMENSIONS ARE IN DECIMAL INCHES
 TOLERANCES UNLESS OTHERWISE SPECIFIED
 ± 1% @ 68° F



- NOTES:
 1. NOM. WALL @ .260
 2. NATURAL OR YELLOW COLOR
 3. SHOT WEIGHT 58 LBS.