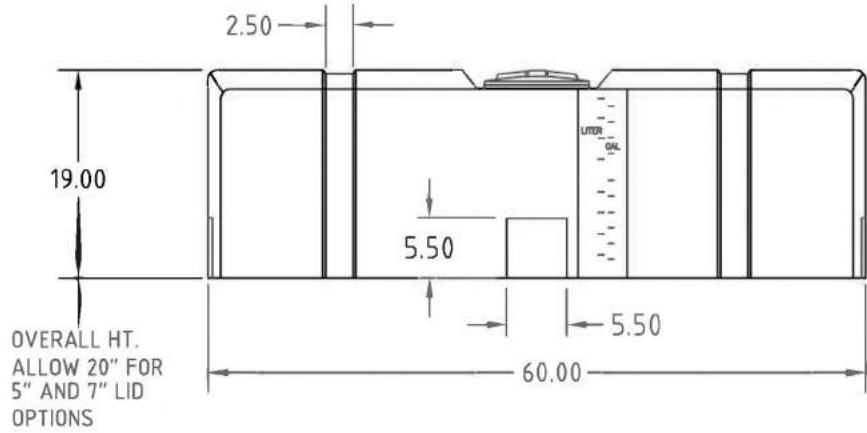
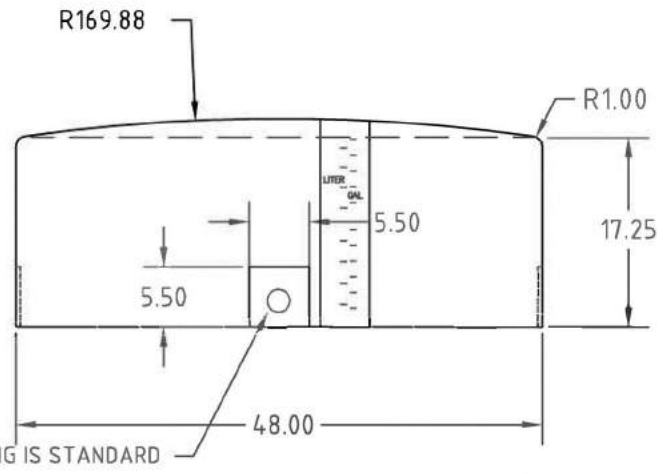
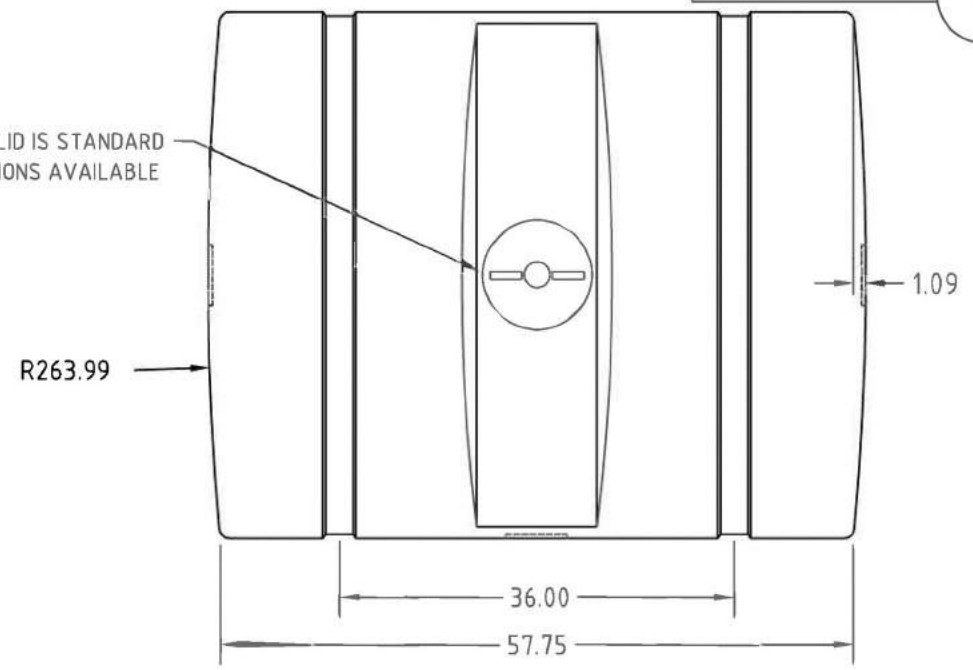


Copyright. All information furnished within this document, electronic file or design correspondence is the property of Den Hartog Industries, Inc. and shall not be used, disclosed to others or copied without the expressed written consent of Den Hartog Industries, Inc.

A

10525 8" VENTED LID IS STANDARD  
5" OR 7" LID OPTIONS AVAILABLE



			DRAWN / DATE DHJ 6/12/06	MATERIAL HDPE OR EQUIVALENT REFERENCE MATERIAL DATA SHEET FOR SPECIFIC PROPERTIES.		
A	LID WAS 5" HINGED STYLE	REH 8/13/09	1909	APPRD. / DATE ADH 11/19/07		
REV	DESCRIPTION	BY / DATE	CCN			
ALL DIMENSIONS ARE IN DECIMAL INCHES TOLERANCES UNLESS OTHERWISE SPECIFIED		THIRD ANGLE PROJECTION ANSI 14.5M		SHOT WEIGHT: 82 LBS.	NOTES:	
POLYETHYLENE		METAL		SHIPPING WEIGHT: 84 LBS.	1. NOM. WALL @ .260	
±1% @ 68° F		DECIMAL ± .125" FRACTION ± 1/4" ANGLE ± 1°		FINISH:	2. NATURAL OR YELLOW COLOR	
				DESCRIPTION 200 GAL. LOW PROFILE RECTANGULAR TANK		
				SCALE N.S.	PART NO.	