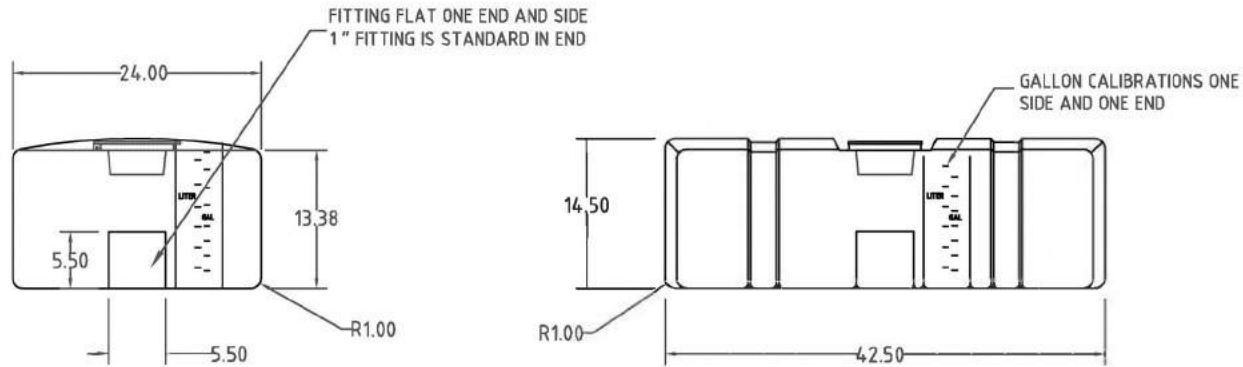
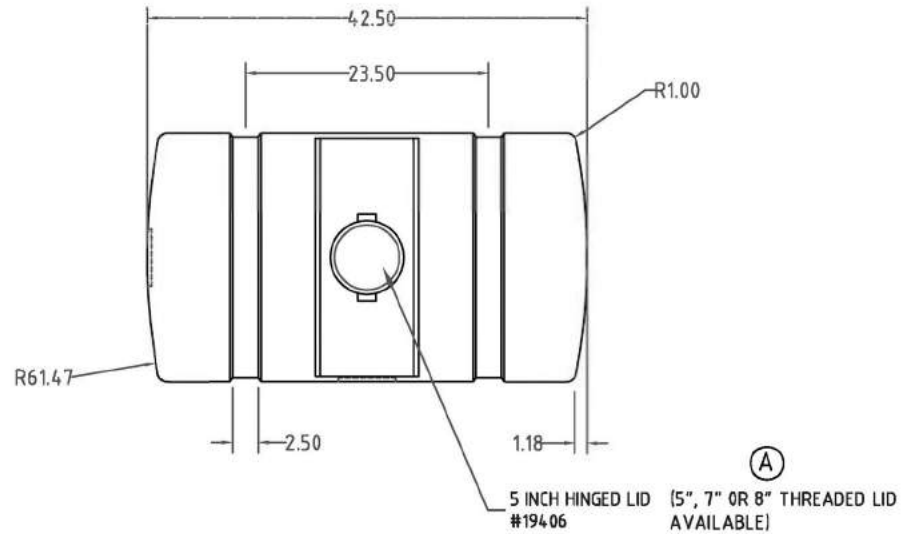


Copyright. All information furnished within this document, electronic file or design correspondence is the property of Den Hartog Industries, Inc. and shall not be used, disclosed to others or copied without the expressed written consent of Den Hartog Industries, Inc.



				DRAWN / DATE DHJ 6/14/06	MATERIAL 10420 3 MELT	
A	5", 7" AND 8" LID ADDED	REH 10/14/10	2100	APPRD. / DATE REH 6/16/08		
REV	DESCRIPTION	BY / DATE	CCN			
ALL DIMENSIONS ARE IN DECIMAL INCHES TOLERANCES UNLESS OTHERWISE SPECIFIED		THIRD ANGLE PROJECTION ANSI 14.5M		SHOT WEIGHT: 35 LB.	NOTES: 1. .260 NOM. WALL	DESCRIPTION 50 GALLON RECTANGULAR TANK
POLYETHYLENE ±1% @ 68° F		METAL DECIMAL ± .125" FRACTION ± 1/4" ANGLE ± 1°		SHIPPING WEIGHT: 37 LB.		SCALE N.S. PART NO.
				FINISH:		