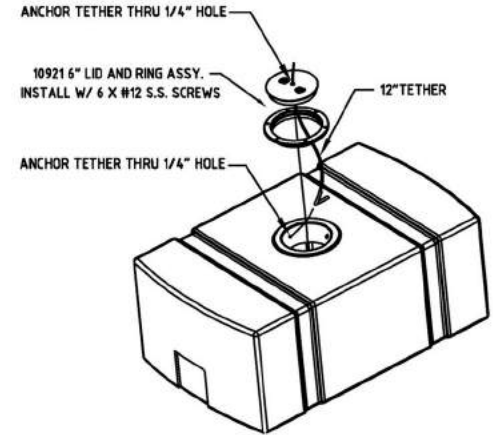
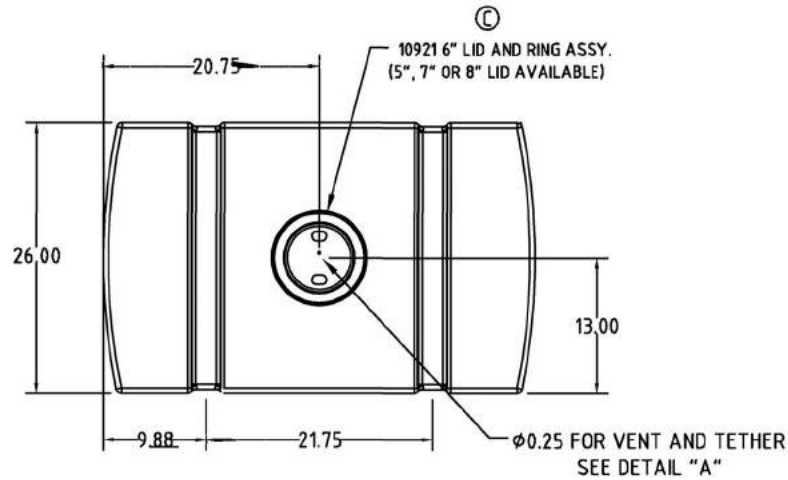
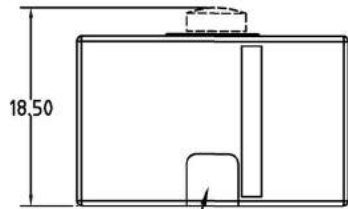


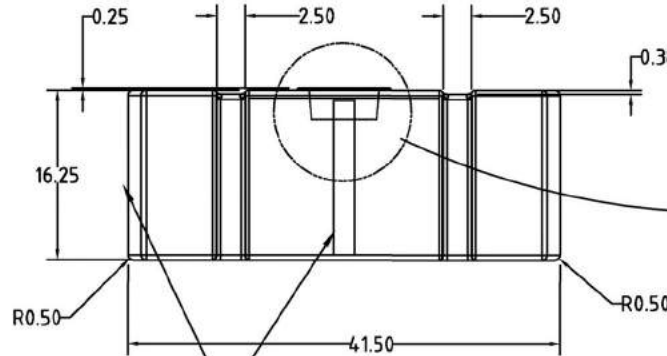
Copyright. All information furnished within this document, electronic file or design correspondence is the property of Den Hartog Industries, Inc. and shall not be used, disclosed to others or copied without the expressed written consent of Den Hartog Industries, Inc.



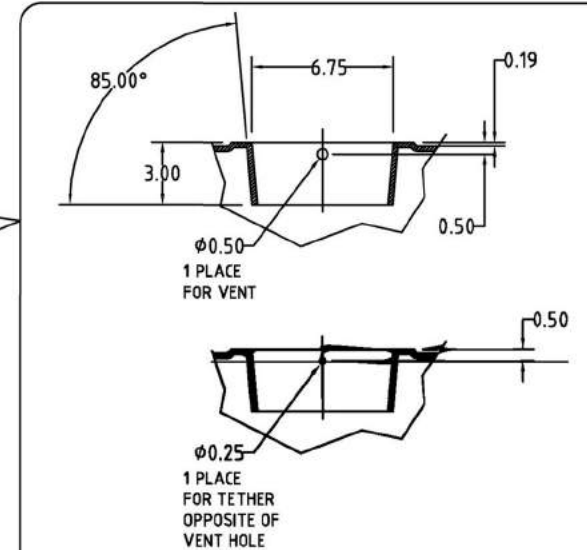
HEIGHT WITH 5" OR 7" LID OPTION



FITTING FLAT .50 DEEP ONE END ONLY STANDARD FITTING IS 1" FPT

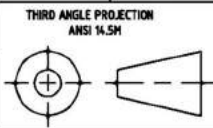


GALLON MARKER THIS SIDE AND END. CALIBRATIONS IN 5 GALLON INCREMENTS



C	5", 7" AND 8" LID ADDED	REH 6/7/10	2036	DRAWN / DATE	MATERIAL
B	PART NUMBER UPDATED	ADH 8/19/08	1700	REH 10/21/01	10420 3 MELT
A	ADDED TETHER 12/6/01			APPRD. / DATE	
REV	DESCRIPTION	BY / DATE	CCN	DHJ 10/21/01	

ALL DIMENSIONS ARE IN DECIMAL INCHES TOLERANCES UNLESS OTHERWISE SPECIFIED  
**POLYETHYLENE**  
 ±1% @ 68° F



THIRD ANGLE PROJECTION ANSI 14.5M  
 SHOT WEIGHT: 40LB.  
 SHIPPING WEIGHT: 42 LB.  
 FINISH:

NOTES:  
 1. .270 NOM. WALL

DESCRIPTION	68 GALLON RECTANGULAR TANK	
SCALE	N.S.	PART NO.