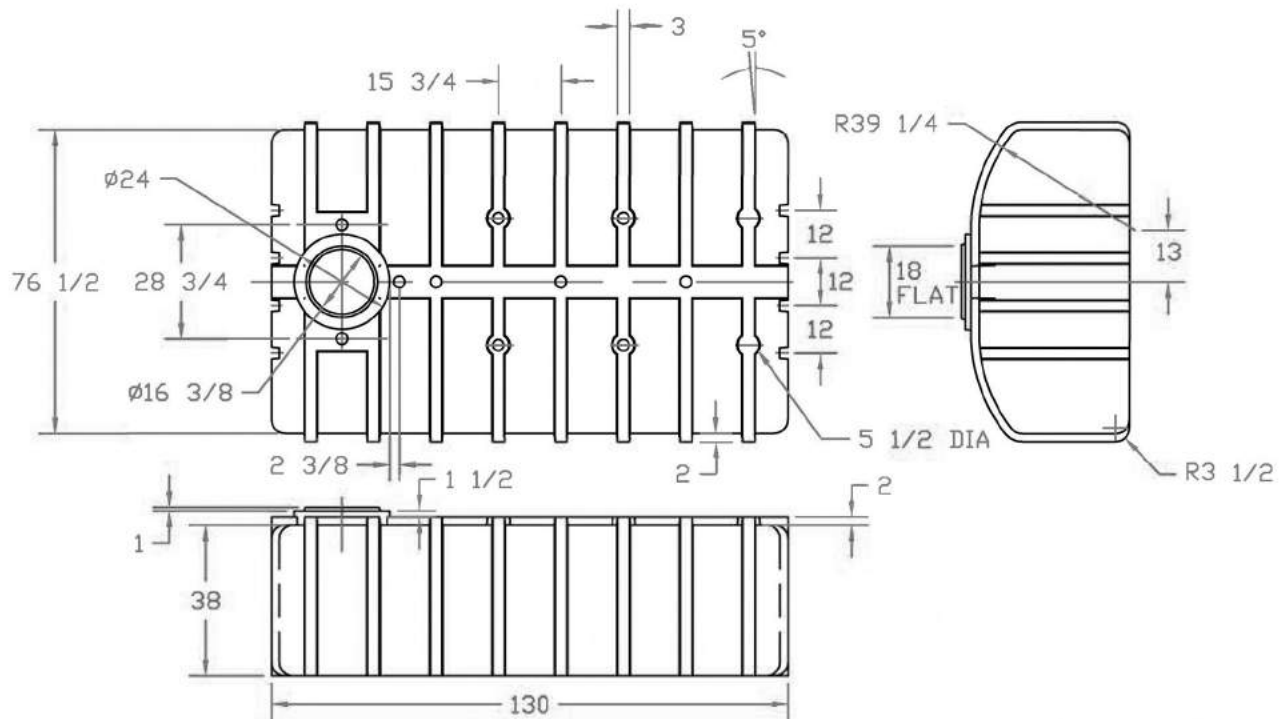


REVISIONS				
ZONE	REV	DESCRIPTION	DATE	APPROVED



NOTES:  
1. END RIBS 3'W X 2' DEEP

FOB FAIRFIELD TX

1500 LOW PROFILE WATER TANK					
JTP	09MAY00	SIZE	FSCM NO.	DWG NO.	REV
		B			
SCALE 1/32				SHEET	

LPN1500

(866) 776-8265

**PROTANK**

sales@protank.com