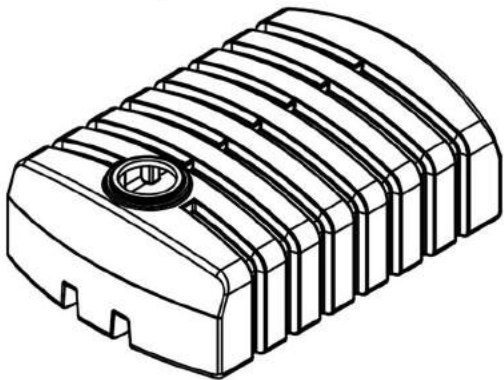


DETAIL E
SCALE 1 / 12

SECTION F-F
SCALE 1:24

SECTION A-A
SCALE 1:24

DETAIL B
SCALE 1 / 12



FOB ST BONIFACIUS MN AND LANCASTER OH

DRAWN Jerry Paulson	3/20/2009	TITLE	
CHECKED		1600 GALLON LOW PROFILE WATER TANK	
QA		SIZE	DWG NO
MFG		B	
APPROVED		SCALE: 1/24	REV
		SHEET 1 OF 1	