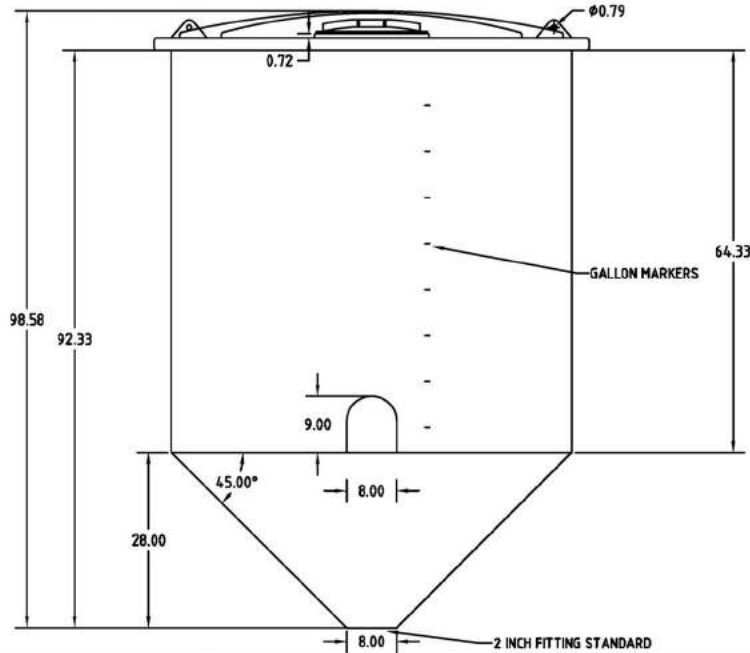
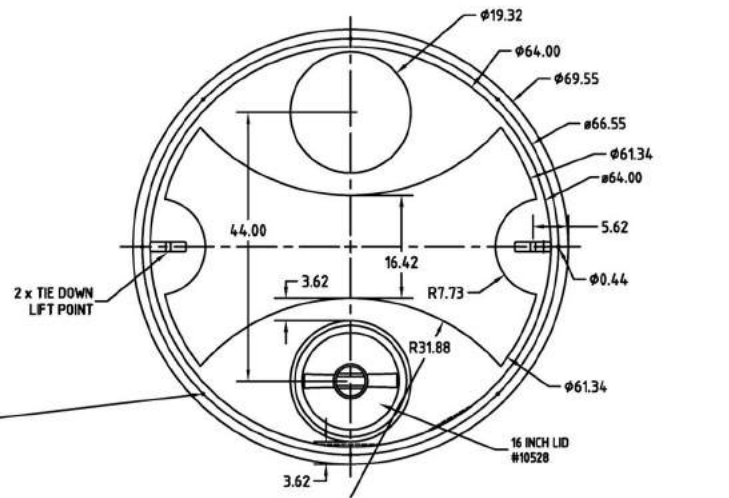
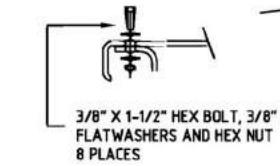
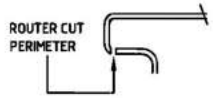


Copyright. All information furnished within this document, electronic file or design correspondence is the property of Den Hartog Industries, Inc. and shall not be used, disclosed to others or copied without the expressed written consent of Den Hartog Industries, Inc.

LID TRIM AND FASTENING DETAIL



				DRAWN / DATE DHJ 2/2/12	MATERIAL 10420	
				APPRD. / DATE REH 3/6/12		
REV	DESCRIPTION	BY / DATE	CCN	SHOT WEIGHT: 250 LBS.	NOTES: 1.35 WALL	DESCRIPTION 1010 GALLON OPEN CONE WITH BOLT ON TOP
	ALL DIMENSIONS ARE IN DECIMAL INCHES TOLERANCES UNLESS OTHERWISE SPECIFIED			SHIPPING WEIGHT: 252 LBS.		SCALE N.S.
	POLYETHYLENE $\pm 1\%$ @ 68° F			FINISH:		PART NO.
	METAL DECIMAL $\pm .125"$ FRACTION $\pm 1/4"$ ANGLE $\pm 1^\circ$					

