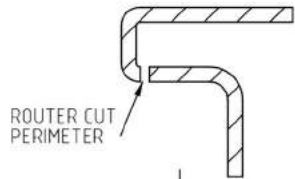
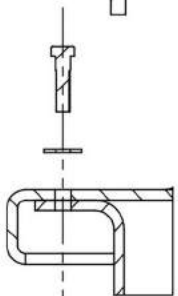


Copyright. All information furnished within this document, electronic file or design correspondence is the property of Den Hartog Industries, Inc. and shall not be used, disclosed to others or copied without the expressed written consent of Den Hartog Industries, Inc.

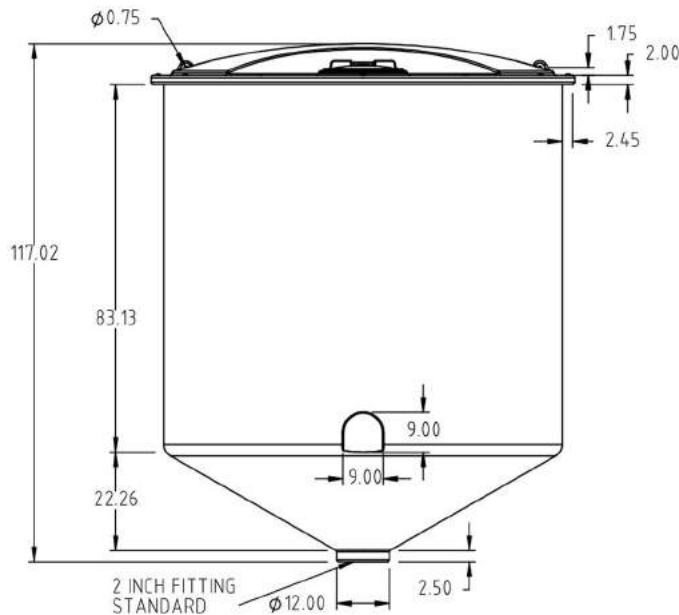
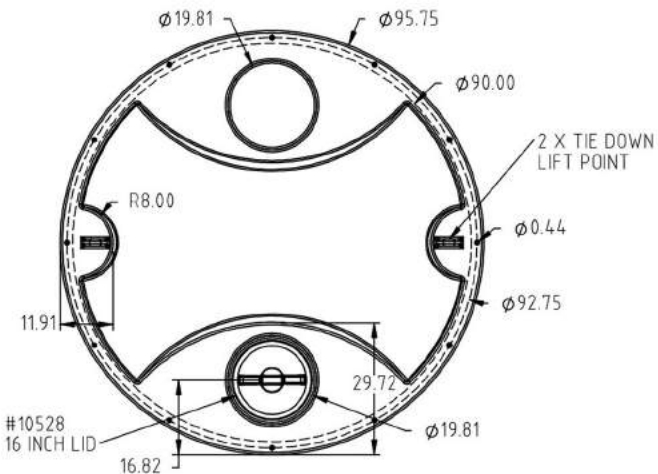
LID TRIM AND FASTENING DETAIL



ROUTER CUT PERIMETER



3/8" X 1-1/2" HEX BOLT, 3/8" FLATWASHERS AND HEX NUT 12 PLACES



				DRAWN / DATE DHJ 2/3/12	MATERIAL	
				APPRD. / DATE REH 7/12/12	10420	
REV	DESCRIPTION	BY / DATE	CCN			
	ALL DIMENSIONS ARE IN DECIMAL INCHES TOLERANCES UNLESS OTHERWISE SPECIFIED			SHOT WEIGHT: 500.00 LBS	NOTES: 1) 0.400" THICK	DESCRIPTION 2440 GALLON OPEN CONE WITH BOLT ON TOP
	POLYETHYLENE			SHIPPING WEIGHT: 502.00 LBS		SCALE N.S.
	$\pm 1\%$ @ 68°F			FINISH:		PART NO.
	METAL DECIMAL $\pm .125"$ FRACTION $\pm 1/4"$ ANGLE $\pm 1^\circ$					