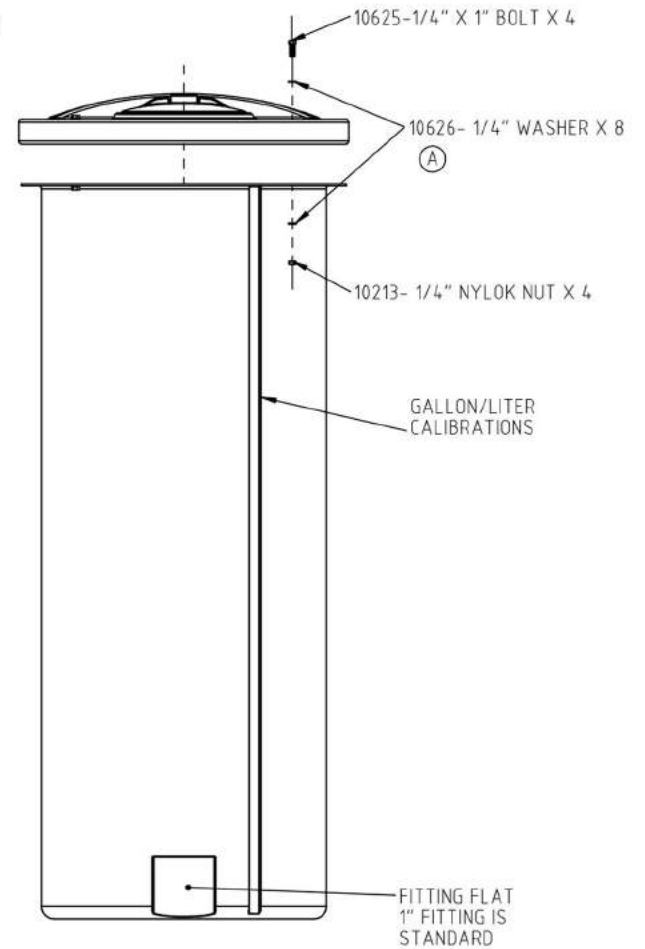
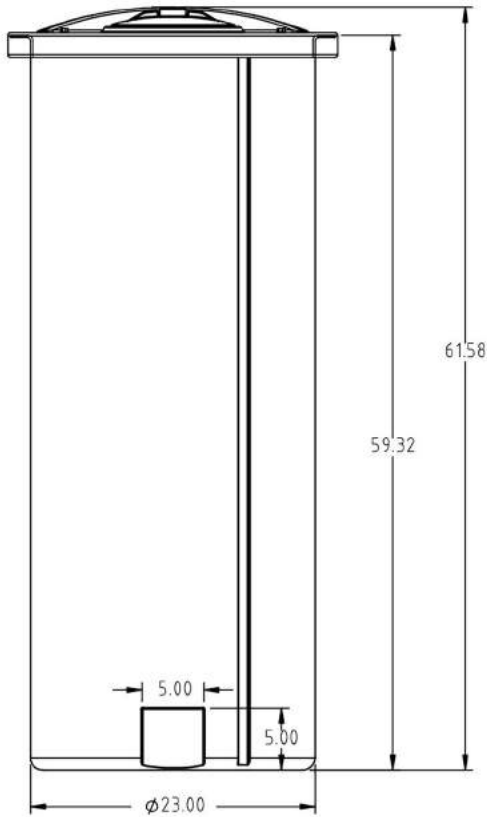
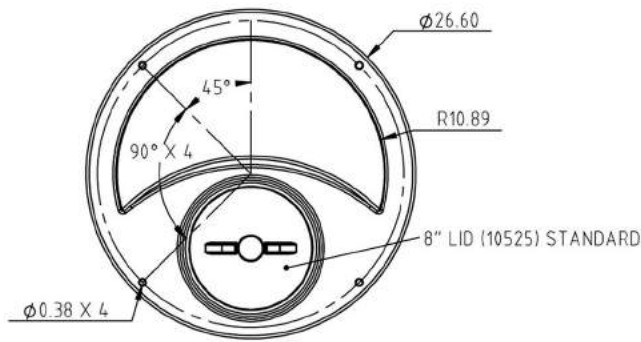
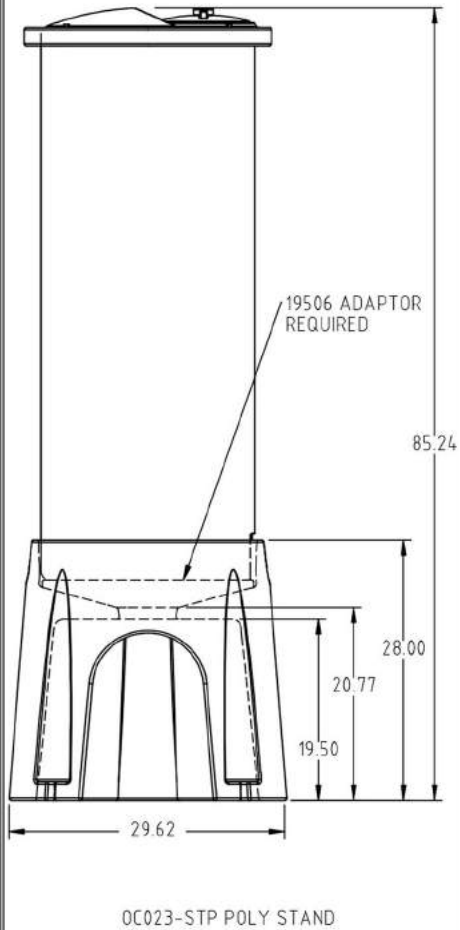


Copyright. All information furnished within this document, electronic file or design correspondence is the property of Den Hartog Industries, Inc. and shall not be used, disclosed to others or copied without the expressed written consent of Den Hartog Industries, Inc.



		DRAWN / DATE ADH 3/21/11		MATERIAL 10420	
A	10626 WAS SJ10067	ADH 10/26/11	2311	APPRD. / DATE REH 4/18/11	
REV	DESCRIPTION	BY / DATE	CCN		
ALL DIMENSIONS ARE IN DECIMAL INCHES TOLERANCES UNLESS OTHERWISE SPECIFIED		THIRD ANGLE PROJECTION ANSI 14.5M		SHOT WEIGHT: 34.00 LBS	
POLYETHYLENE				NOTES: 1.) 0.20 WALL THICKNESS	
METAL DECIMAL ± .125" FRACTION ± 1/4" ANGLE ± 1°				SHIPPING WEIGHT: 36.00 LBS	
±1% @ 68°F				FINISH:	
DESCRIPTION 23" DIA. X 100 GALLON VERTICAL TANK- OPEN TOP			SCALE N.S.		
			PART NO.		