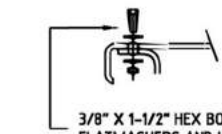
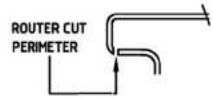
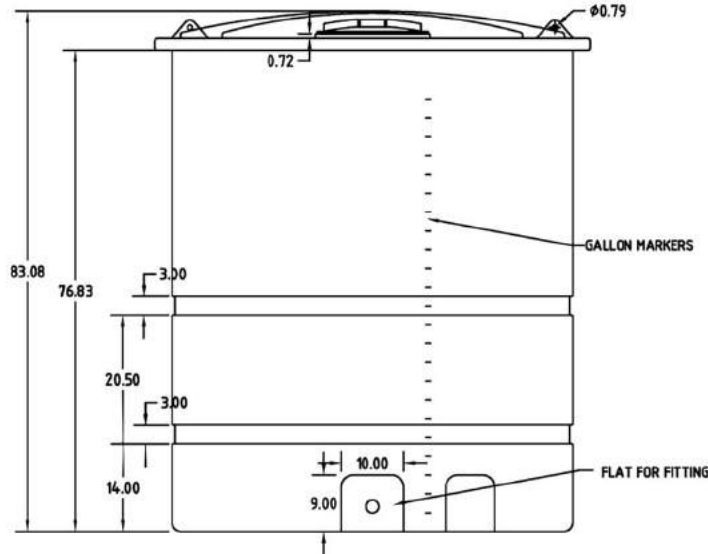
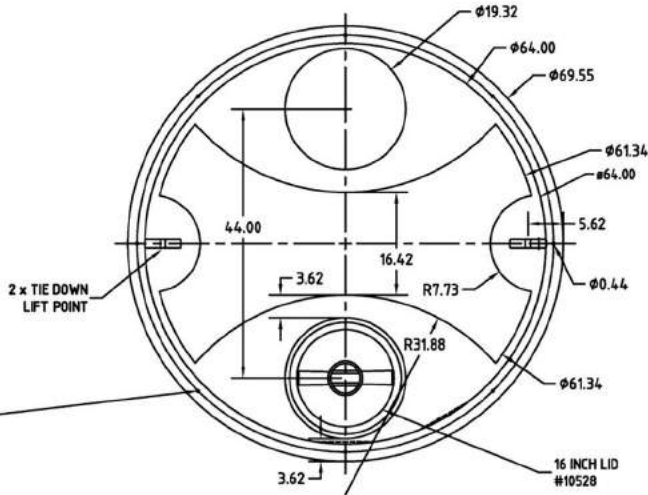


Copyright. All information furnished within this document, electronic file or design correspondence is the property of Den Hartog Industries, Inc. and shall not be used, disclosed to others or copied without the expressed written consent of Den Hartog Industries, Inc.

LID TRIM AND FASTENING DETAIL



3/8" X 1-1/2" HEX BOLT, 3/8" FLATWASHERS AND HEX NUT 8 PLACES



				DRAWN / DATE DHJ 2/2/12		MATERIAL 10420			
				APPRD. / DATE REH 3/6/12					
REV	DESCRIPTION	BY / DATE	CCN	SHOT WEIGHT: 250 LBS.		NOTES: 1. .25 WALL		DESCRIPTION 1010 GALLON OPEN TOP WITH BOLT ON TOP	
ALL DIMENSIONS ARE IN DECIMAL INCHES TOLERANCES UNLESS OTHERWISE SPECIFIED				THIRD ANGLE PROJECTION ANSI 14.5H		SHIPPING WEIGHT: 252 LBS.		SCALE N.S.	
POLYETHYLENE ±1% @ 68° F		METAL DECIMAL ± .125" FRACTION ± 1/4" ANGLE ± 1°		FINISH:				PART NO.	