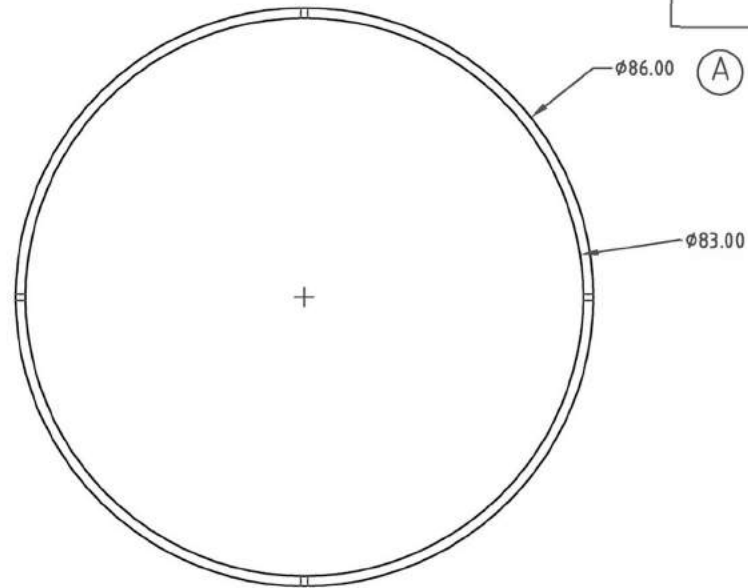


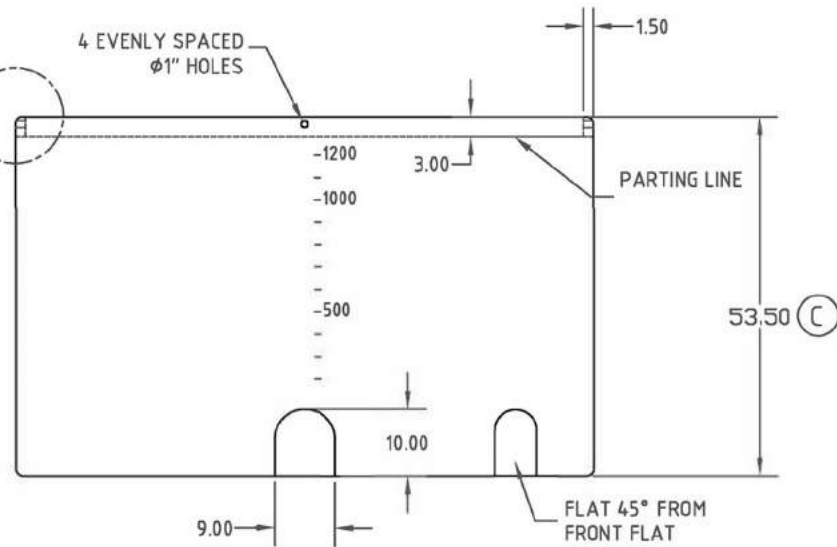
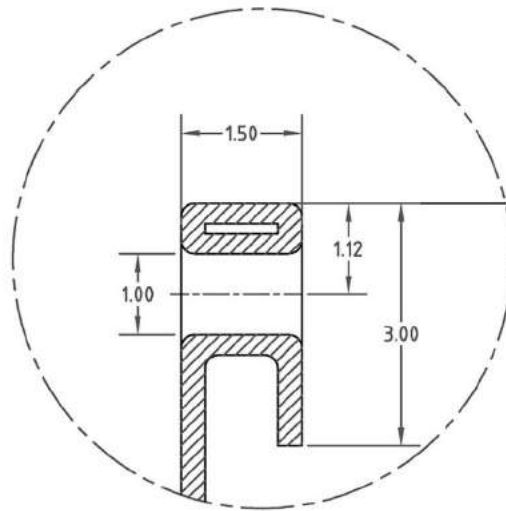
PROPRIETARY DATA

PROPERTY OF DEN HARTOG INDUSTRIES, INC. INFORMATION FURNISHED HEREIN IS THE PROPERTY OF DEN HARTOG INDUSTRIES, INC. AND SHALL NOT BE USED, DISCLOSED TO OTHERS, OR COPIED WITHOUT THE EXPRESSED WRITTEN CONSENT OF DEN HARTOG INDUSTRIES, INC. ALL RIGHTS RESERVED.

C



DETAIL OF RIM (B)



C	53.50 WAS 56.00	4/20/09	ADH	1842	DRAWN / DATE	MATERIAL HDPE OR EQUIVALENT REFERENCE MATERIAL DATA SHEET FOR SPECIFIC PROPERTIES.	CLIENT / DESCRIPTION 1200 GALLON OPEN TOP TANK - NO LID	
B	CLARIFY THROUGH HOLE 4/8/08 DHJ			1643	NVE 6/13/05			
A	DIA WAS 85, PN WAS OP1200-85	7/31/06	NVE		APPRD. / DATE DHJ 6/22/05			
REV	DESCRIPTION	DATE	APPRD	CCN			SCALE N.S.	
ALL DIMENSIONS ARE IN DECIMAL INCHES TOLERANCES UNLESS OTHERWISE SPECIFIED ± 1% @ 68° F					THIRD ANGLE PROJECTION ANSI 14.5M 		NOTES: 1. 240 WALL THICKNESS AT FITTING 2. SHOT WEIGHT 200 LBS. 3. SHIP WEIGHT 200 LBS.	
							PART NO.	