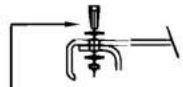
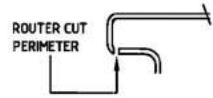
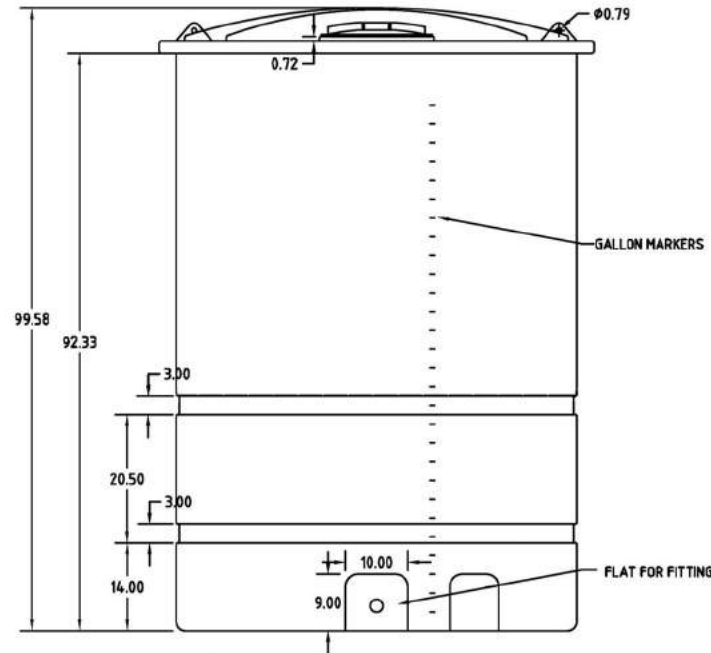
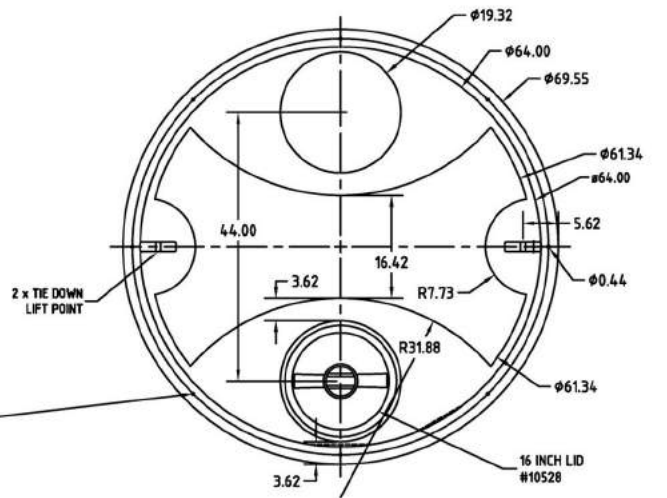


Copyright. All information furnished within this document, electronic file or design correspondence is the property of Den Hartog Industries, Inc. and shall not be used, disclosed to others or copied without the expressed written consent of Den Hartog Industries, Inc.

LID TRIM AND FASTENING DETAIL



3/8" X 1-1/2" HEX BOLT, 3/8" FLATWASHERS AND HEX NUT 8 PLACES



				DRAWN / DATE DHJ 2/2/12	MATERIAL 10420	
				APPRD. / DATE REH 3/6/12		
REV	DESCRIPTION	BY / DATE	CCN			
ALL DIMENSIONS ARE IN DECIMAL INCHES TOLERANCES UNLESS OTHERWISE SPECIFIED		THIRD ANGLE PROJECTION ANSI 14.5H		SHOT WEIGHT: 275 LBS.	NOTES: 1. .31 WALL	DESCRIPTION 1210 GALLON OPEN TOP WITH BOLT ON TOP
POLYETHYLENE ±1% @ 68° F				SHIPPING WEIGHT: 277 LBS.	FINISH:	SCALE N.S.
METAL DECIMAL ± .125" FRACTION ± 1/4" ANGLE ± 1°						PART NO.