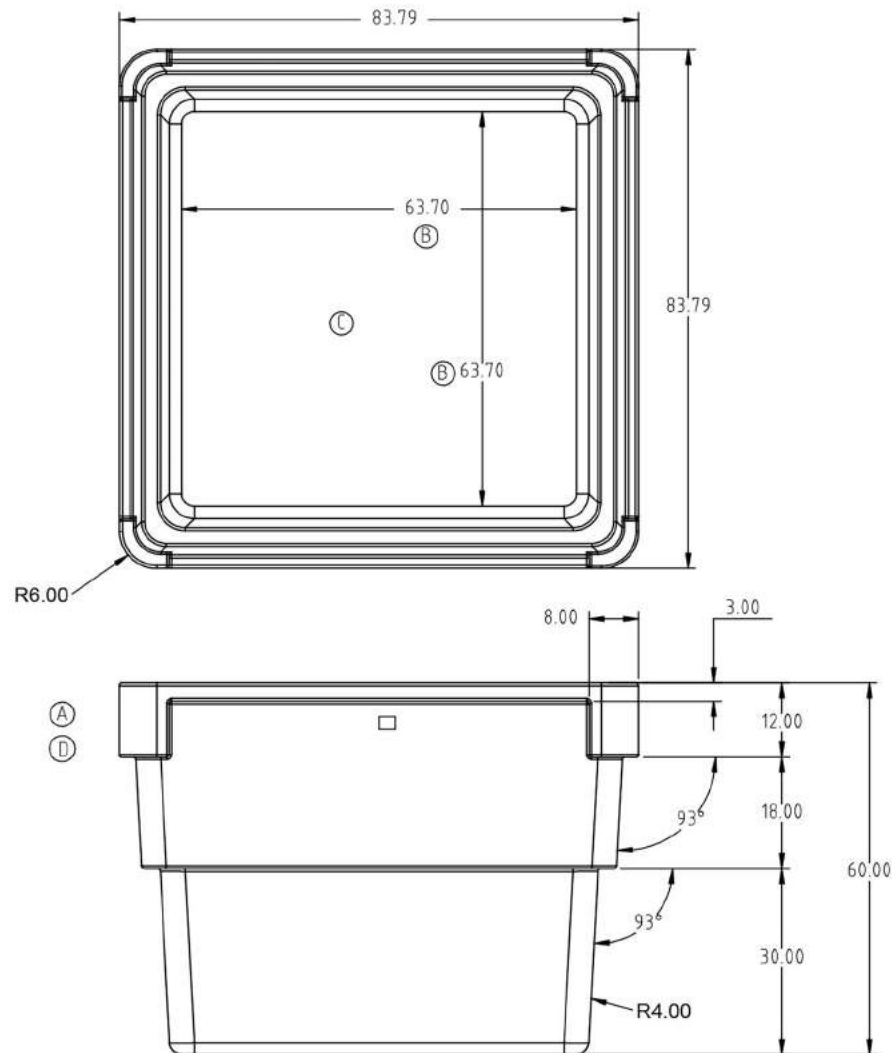


Copyright. All information furnished within this document, electronic file or design correspondence is the property of Den Hartog Industries, Inc. and shall not be used, disclosed to others or copied without the expressed written consent of Den Hartog Industries, Inc.



STACK 5 HIGH UPSIDE DOWN FOR STORAGE

D	REMOVED CORNER HOLES	REH 3/8/11	2185	DRAWN / DATE ADH 6/25/08	MATERIAL 10538 POWDER	DESCRIPTION 1325 GALLON CONTAINMENT TANK	
C	RAISED CIRCULAR CENTER REMOVED	ADH 12/29/10	2144				
B	INSIDE BASE DIMENSIONS ADDED	ADH 8/3/09	1902				
A	ADDED CORNER HOLES	REH 1/5/09	1775	APPRD. / DATE REH 7/1/08			
REV	DESCRIPTION	BY / DATE	CCN				
ALL DIMENSIONS ARE IN DECIMAL INCHES TOLERANCES UNLESS OTHERWISE SPECIFIED		THIRD ANGLE PROJECTION ANSI 14.5M		SHOT WEIGHT: 375 LB.		NOTES: 1. NATURAL COLOR STD. 2. .425 WALL THICKNESS	
POLYETHYLENE		METAL		SHIPPING WEIGHT: 360 LB.			
±1% @ 68°F		DECIMAL ± .125" FRACTION ± 1/4" ANGLE ± 1°		FINISH: BEAD BLAST			
				SCALE		PART NO.	
				N.S.			