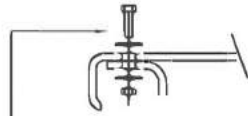
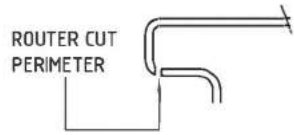
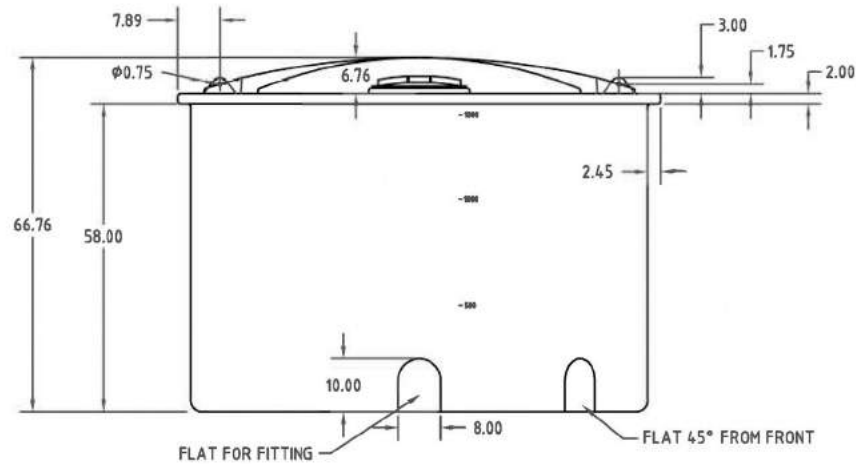
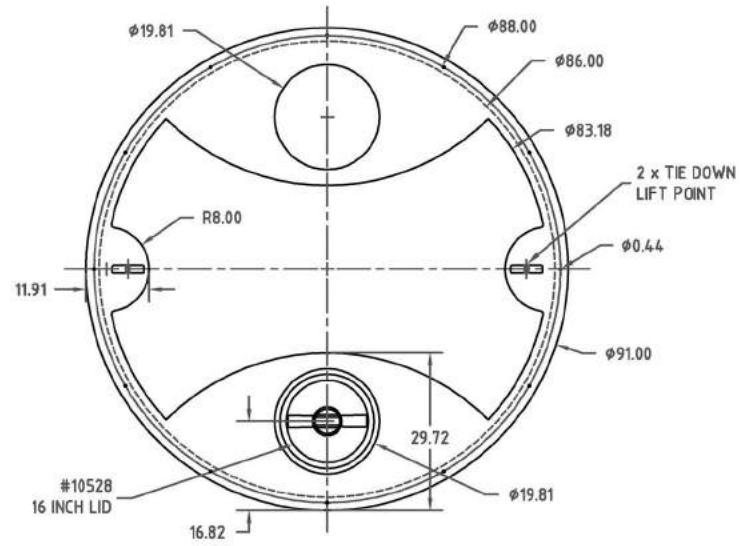


Copyright: All information furnished within this document, electronic file or design correspondence is the property of Den Hartog Industries, Inc. and shall not be used, disclosed to others or copied without the expressed written consent of Den Hartog Industries, Inc.

LID TRIM AND FASTENING DETAIL



3/8" X 1-1/2" HEX BOLT, 3/8" FLATWASHERS AND HEX NUT 12 PLACES



				DRAWN / DATE DHJ 4/29/11	MATERIAL 10420	
				APPRD. / DATE REH 5/10/11		
REV	DESCRIPTION	BY / DATE	CCN			
	ALL DIMENSIONS ARE IN DECIMAL INCHES TOLERANCES UNLESS OTHERWISE SPECIFIED			SHOT WEIGHT: 228 LBS.	NOTES: 1. .250 THICK AT FITTING	DESCRIPTION 1360 GALLON OPEN TOP TANK
	POLYETHYLENE			SHIPPING WEIGHT: 230 LBS.		SCALE N.S.
	METAL DECIMAL $\pm .125"$ FRACTION $\pm 1/4"$ ANGLE $\pm 1^\circ$			FINISH:		