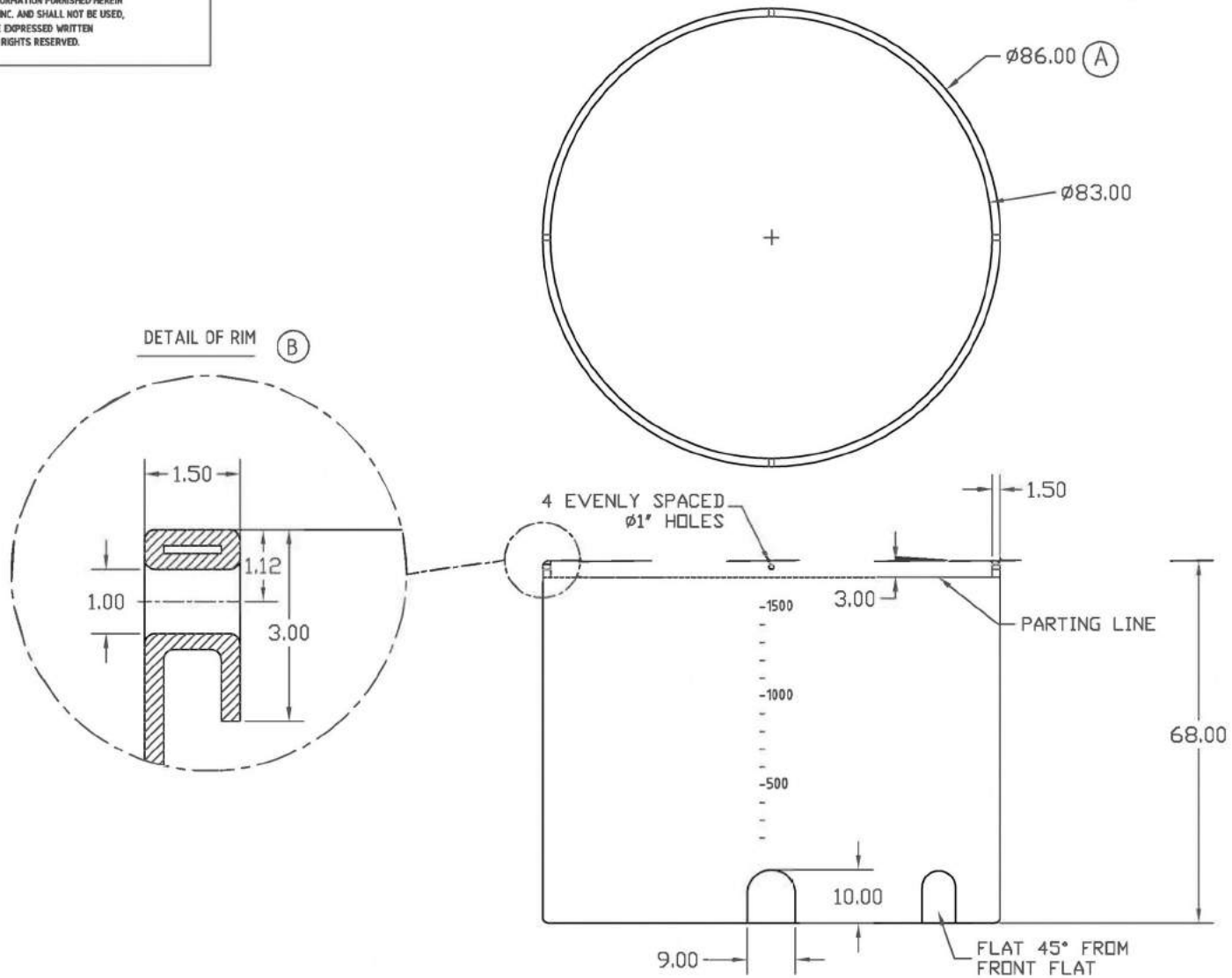


PROPRIETARY DATA

PROPERTY OF DEN HARTOG INDUSTRIES, INC. INFORMATION FURNISHED HEREIN IS THE PROPERTY OF DEN HARTOG INDUSTRIES, INC. AND SHALL NOT BE USED, DISCLOSED TO OTHERS, OR COPIED WITHOUT THE EXPRESSED WRITTEN CONSENT OF DEN HARTOG INDUSTRIES, INC. ALL RIGHTS RESERVED.

B



		DRAWN / DATE		MATERIAL			
B	CLARIFY THROUGH HOLES IN RIM 4/9/08	DHJ	1643	NVE 6/13/05			
A	DIA WAS 85, PN WAS DP1500-85	7/31/06	NVE	APPRD. / DATE			
REV	DESCRIPTION	DATE	APPRD	CCN	DHJ 6/22/05	CLIENT / DESCRIPTION	
ALL DIMENSIONS ARE IN DECIMAL INCHES TOLERANCES UNLESS OTHERWISE SPECIFIED ± 1% @ 68° F				THIRD ANGLE PROJECTION ANSI 14.5M		NOTES: 1. .300 WALL 2. SHOT WEIGHT 240 LBS. 3. SHIP WEIGHT 240 LBS.	
				SCALE		PART NO.	
				N.S.		1500 GALLON OPEN TOP TANK - NO LID	