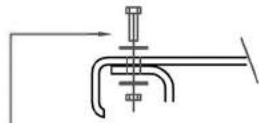
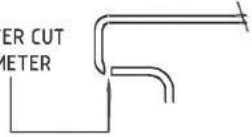


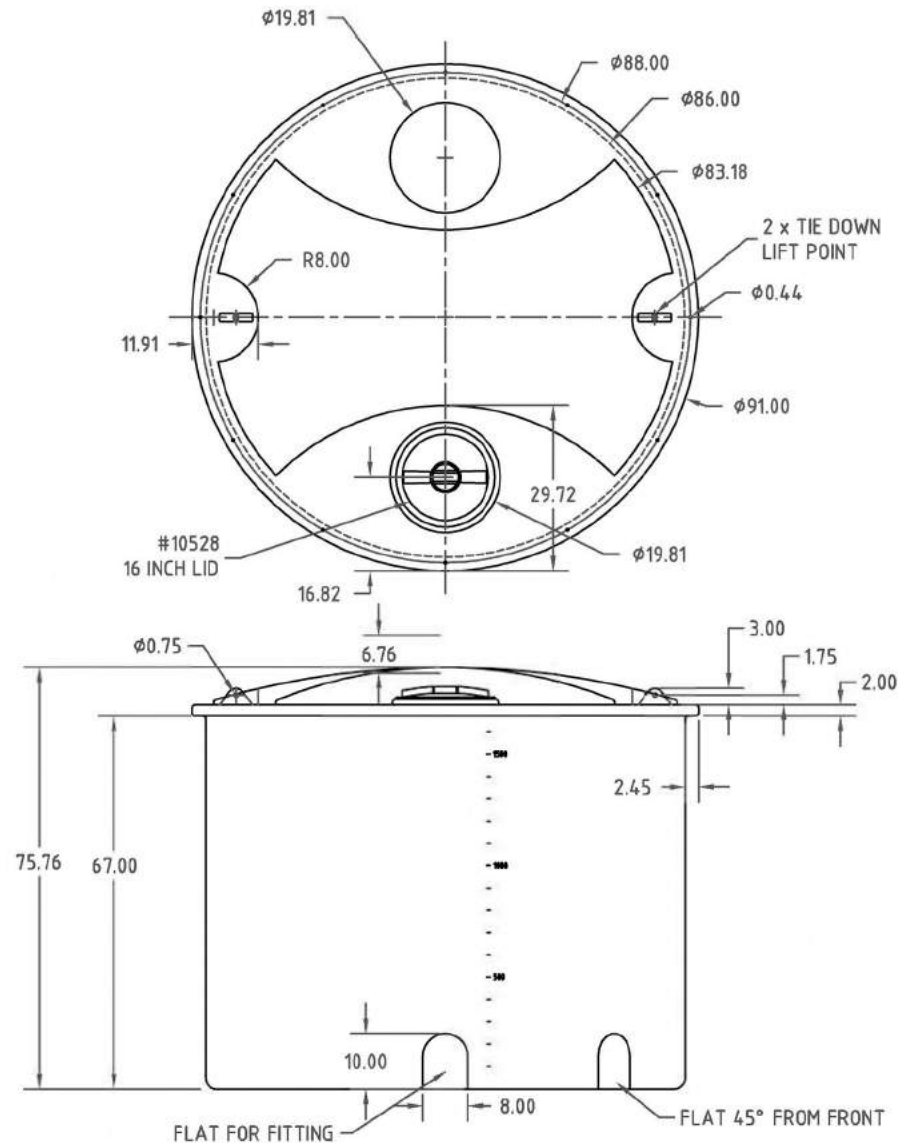
Copyright: All information furnished within this document, electronic file or design correspondence is the property of Den Hartog Industries, Inc. and shall not be used, disclosed to others or copied without the expressed written consent of Den Hartog Industries, Inc.

LID TRIM AND FASTENING DETAIL

ROUTER CUT PERIMETER



3/8" X 1-1/2" HEX BOLT, 3/8" FLATWASHERS AND HEX NUT 12 PLACES



				DRAWN / DATE DHJ 4/29/11	MATERIAL 10420	
				APPRD. / DATE REH 5/10/11		
REV	DESCRIPTION	BY / DATE	CCN			
	ALL DIMENSIONS ARE IN DECIMAL INCHES TOLERANCES UNLESS OTHERWISE SPECIFIED			SHOT WEIGHT: 278 LBS.	NOTES: 1. .290 THICK AT FITTING	DESCRIPTION 1660 GALLON OPEN TOP TANK
	POLYETHYLENE			SHIPPING WEIGHT: 280 LBS.		SCALE N.S.
	METAL DECIMAL ± .125" FRACTION ± 1/4" ANGLE ± 1°			FINISH:		PART NO.